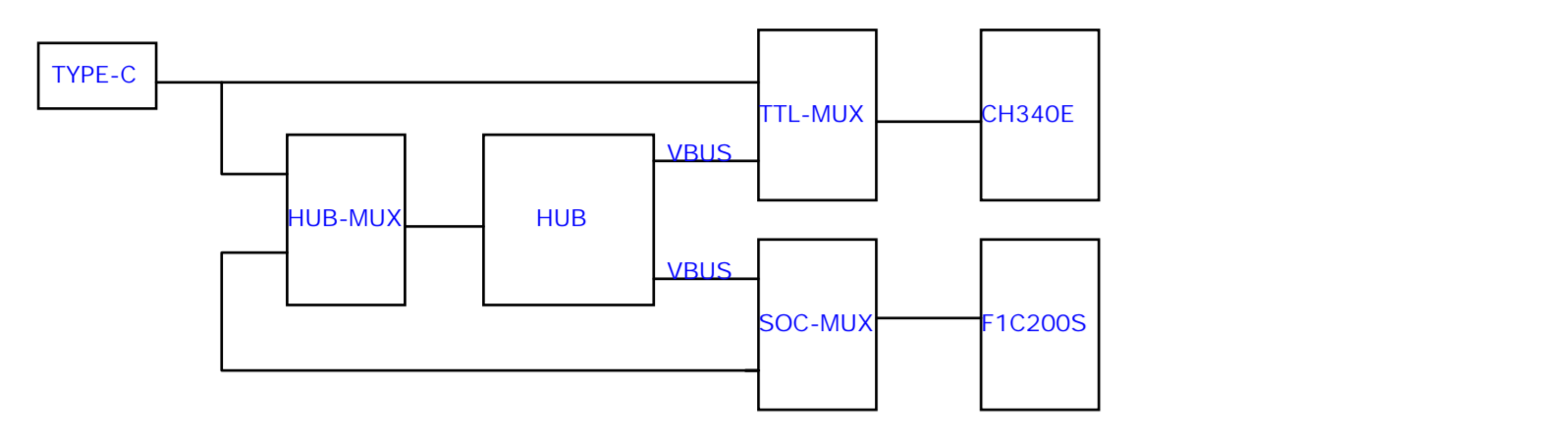
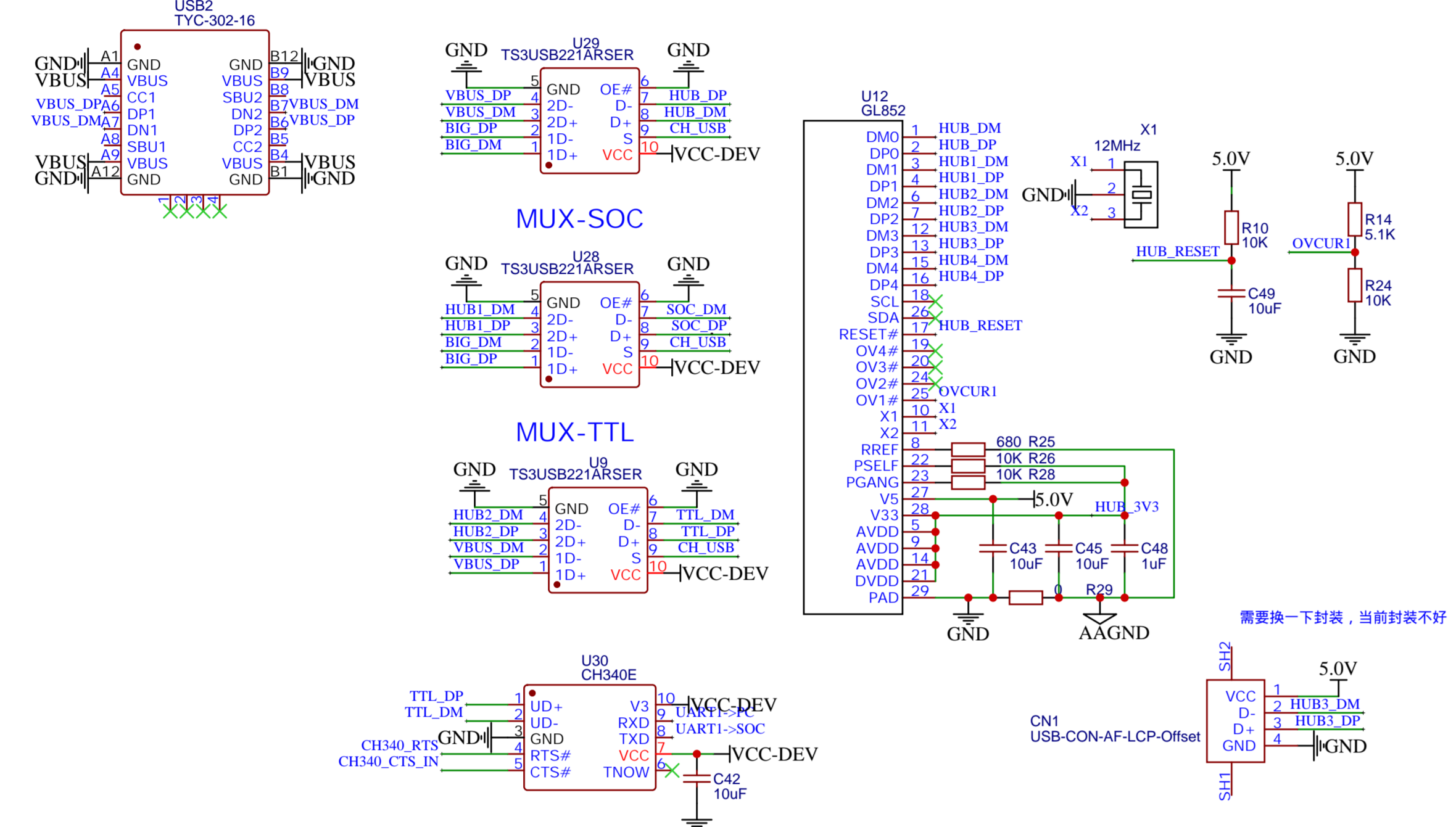


USB线路图

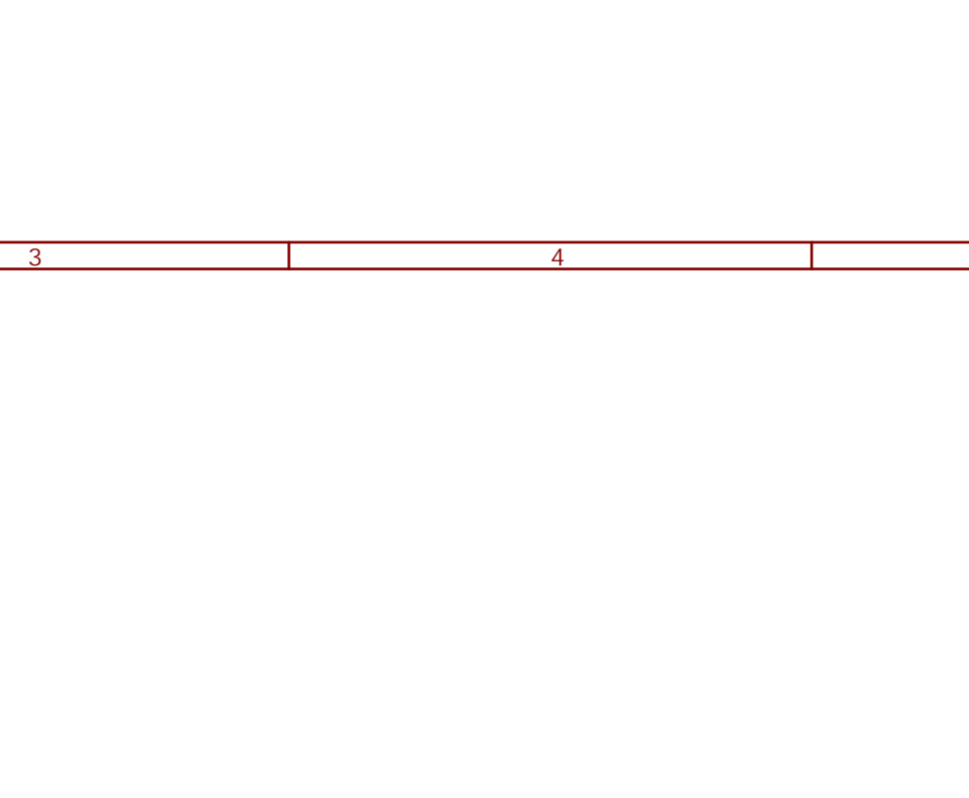
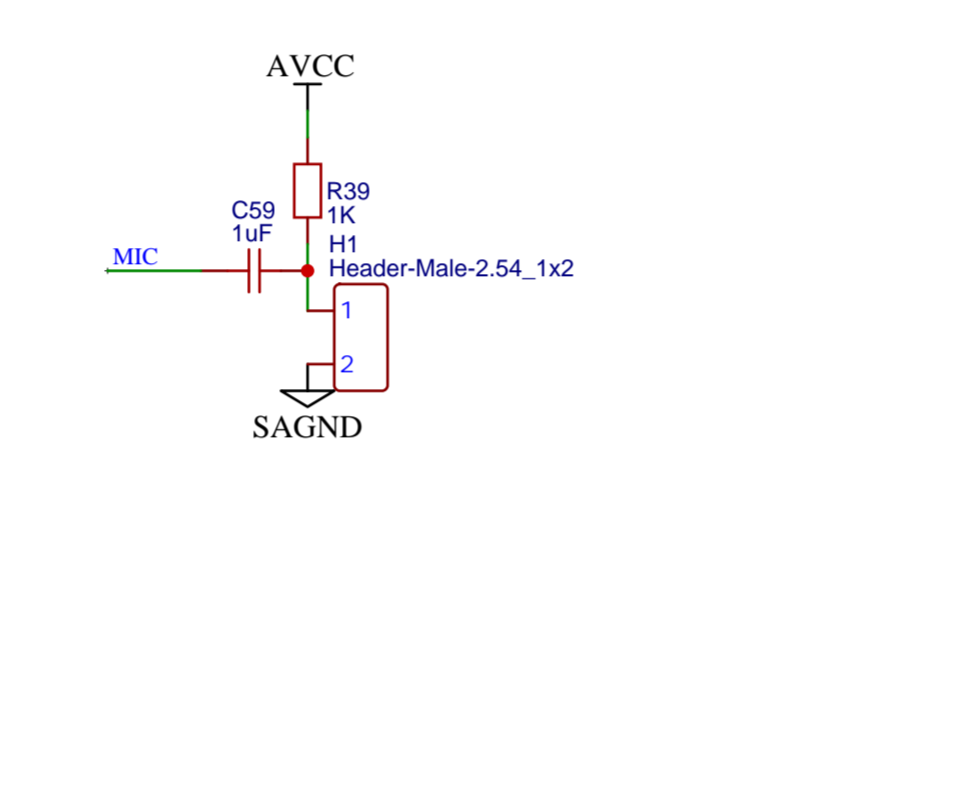
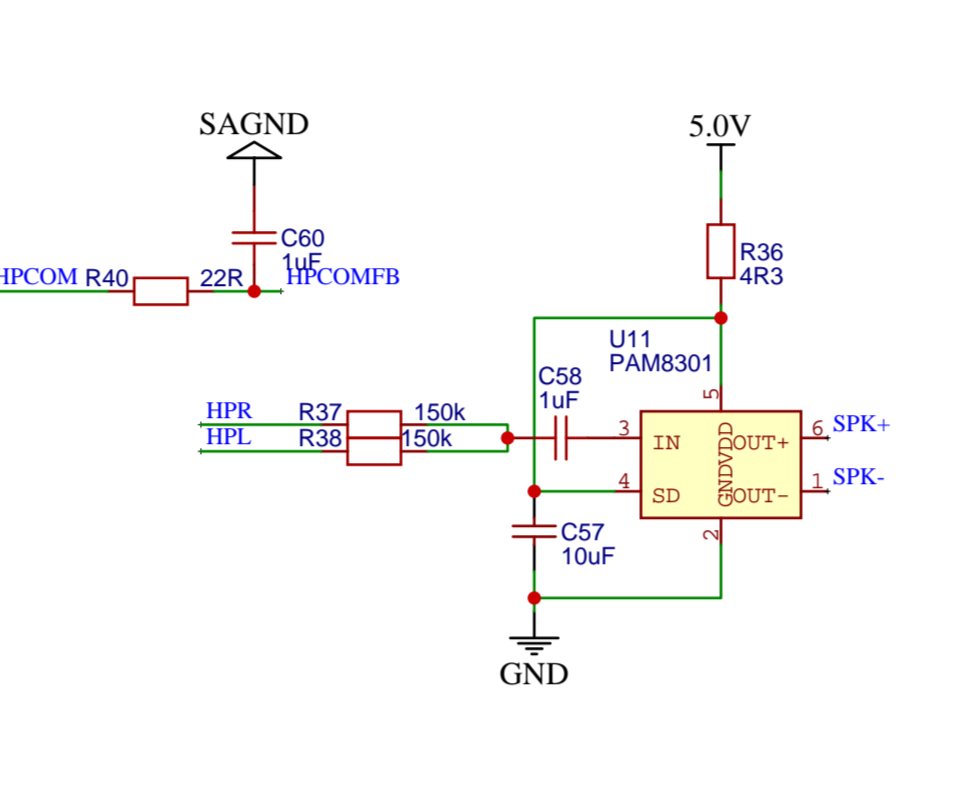
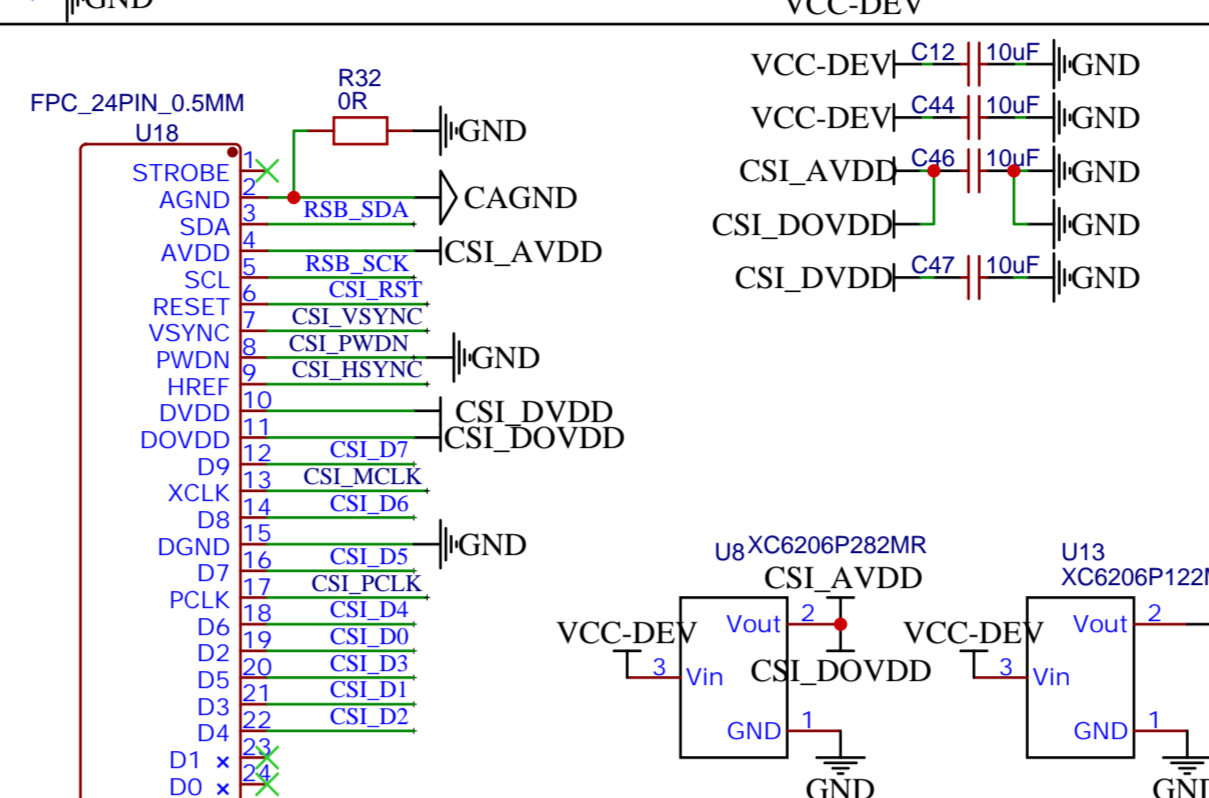
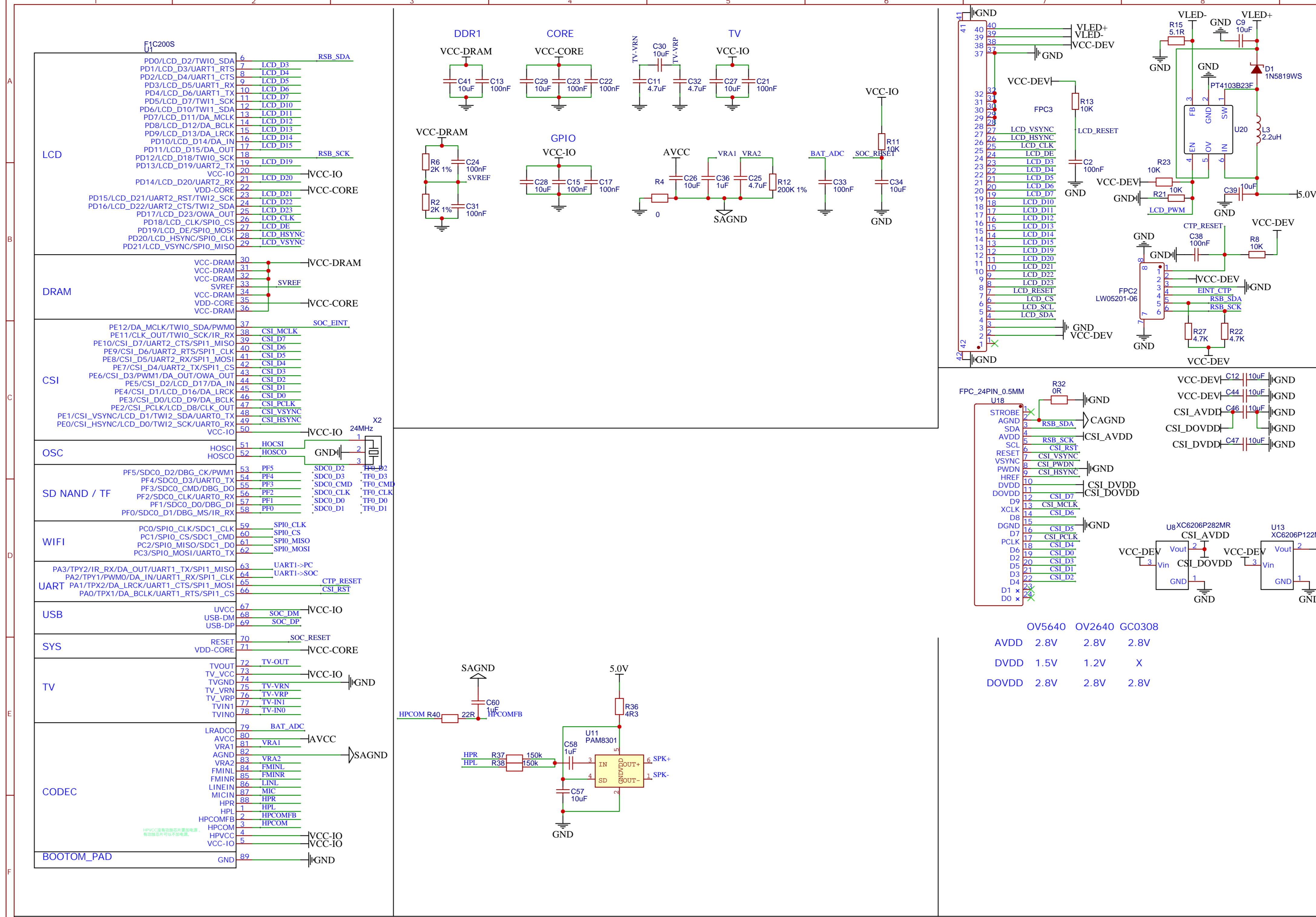
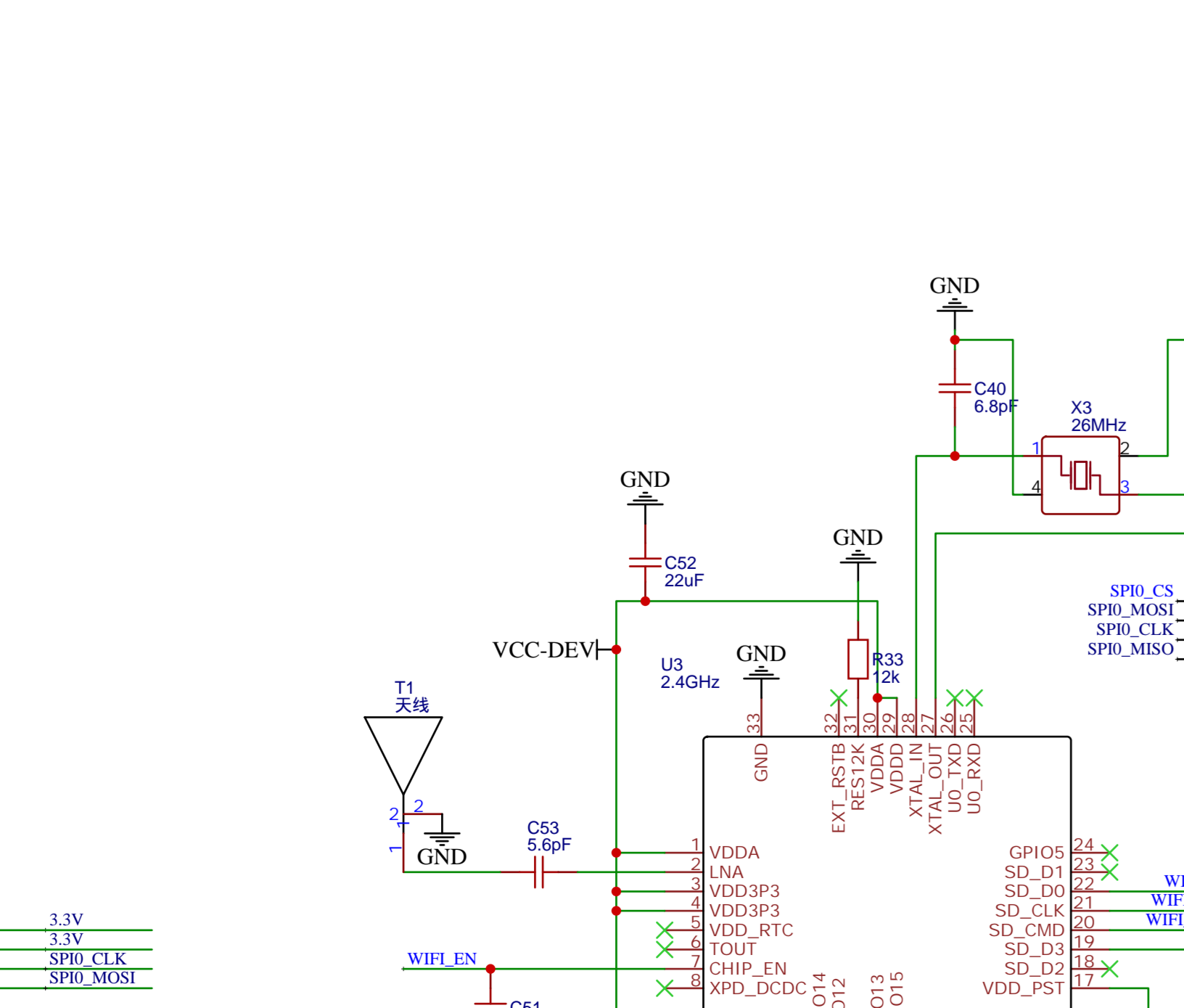
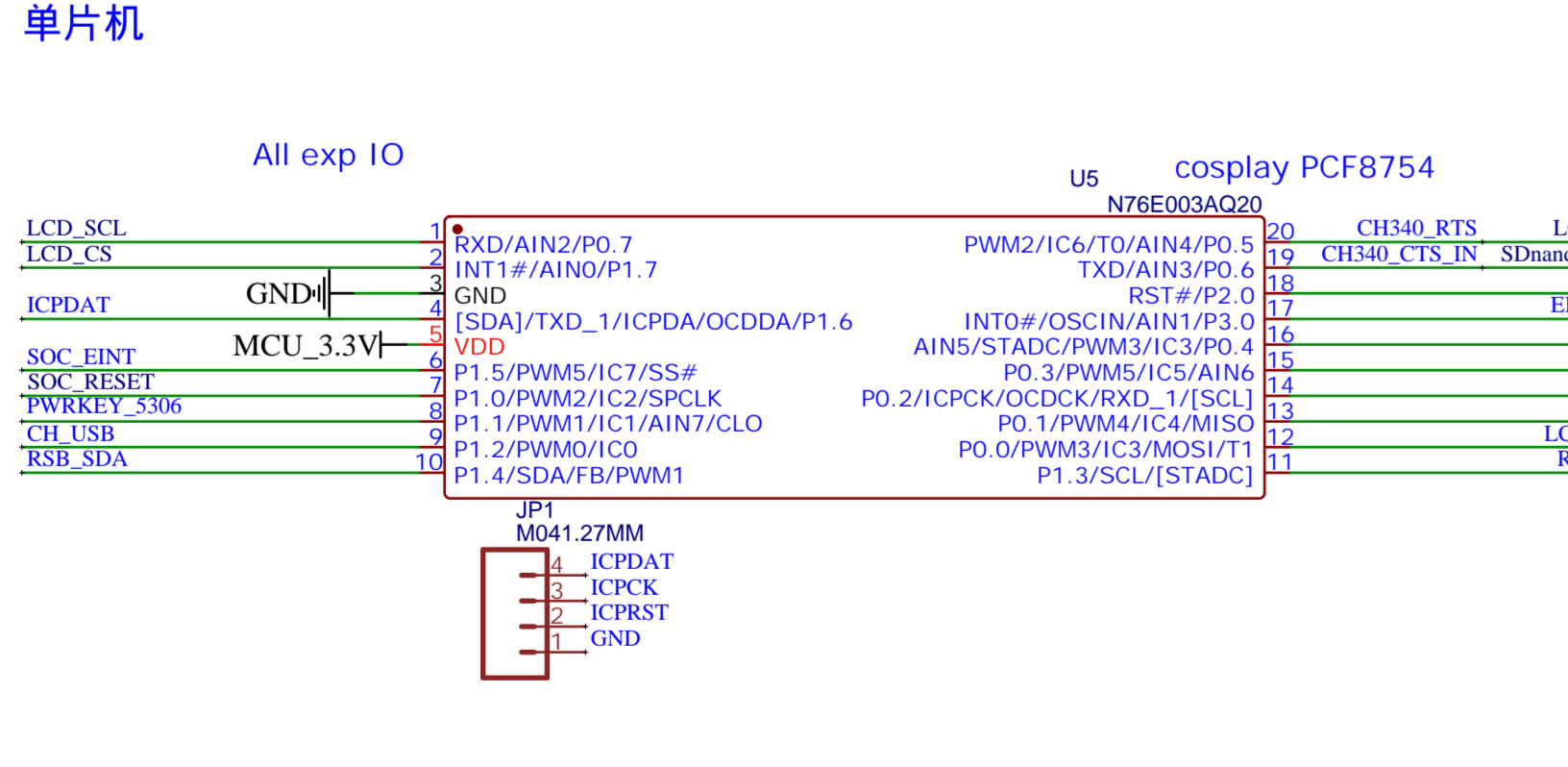
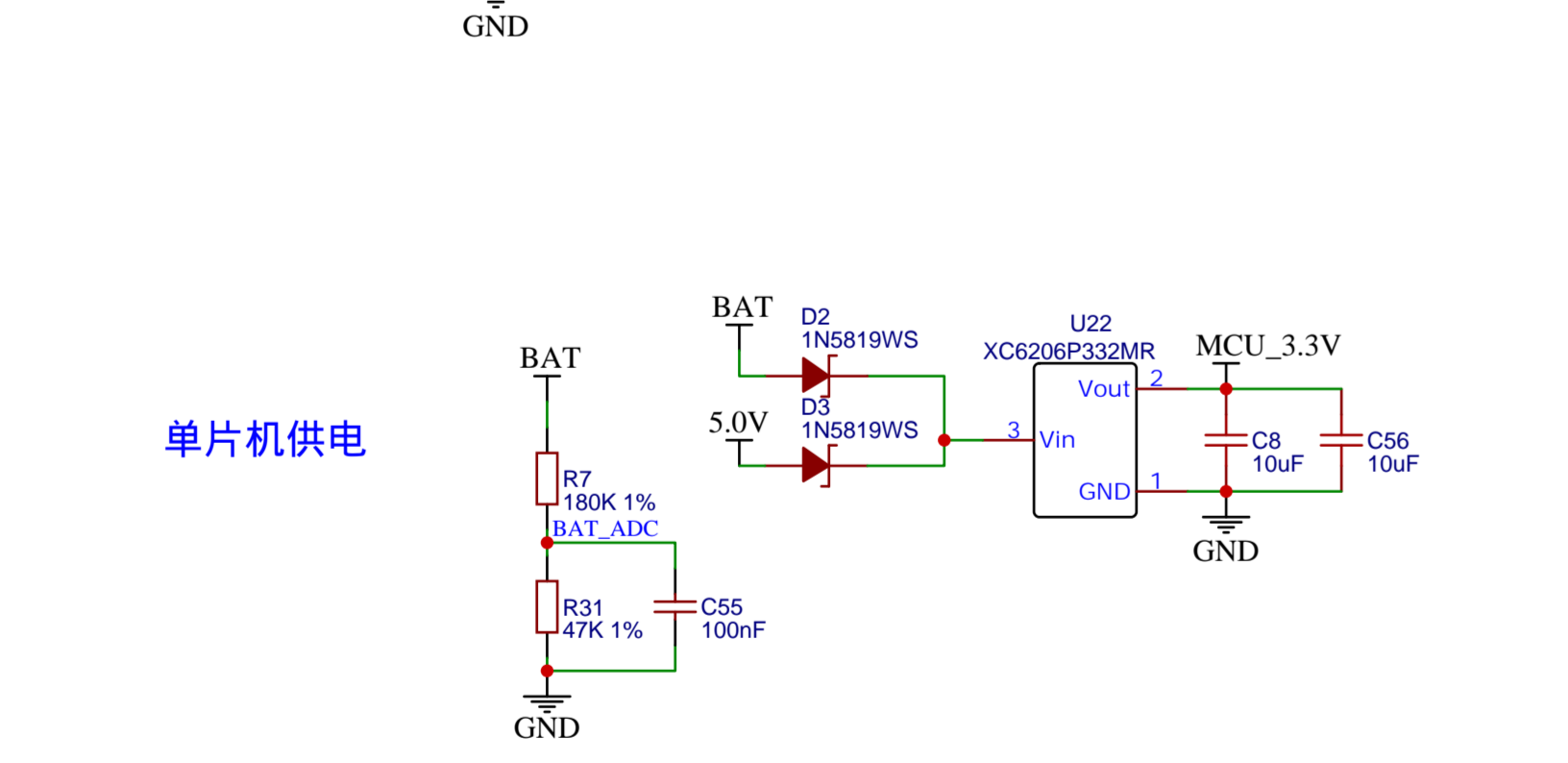
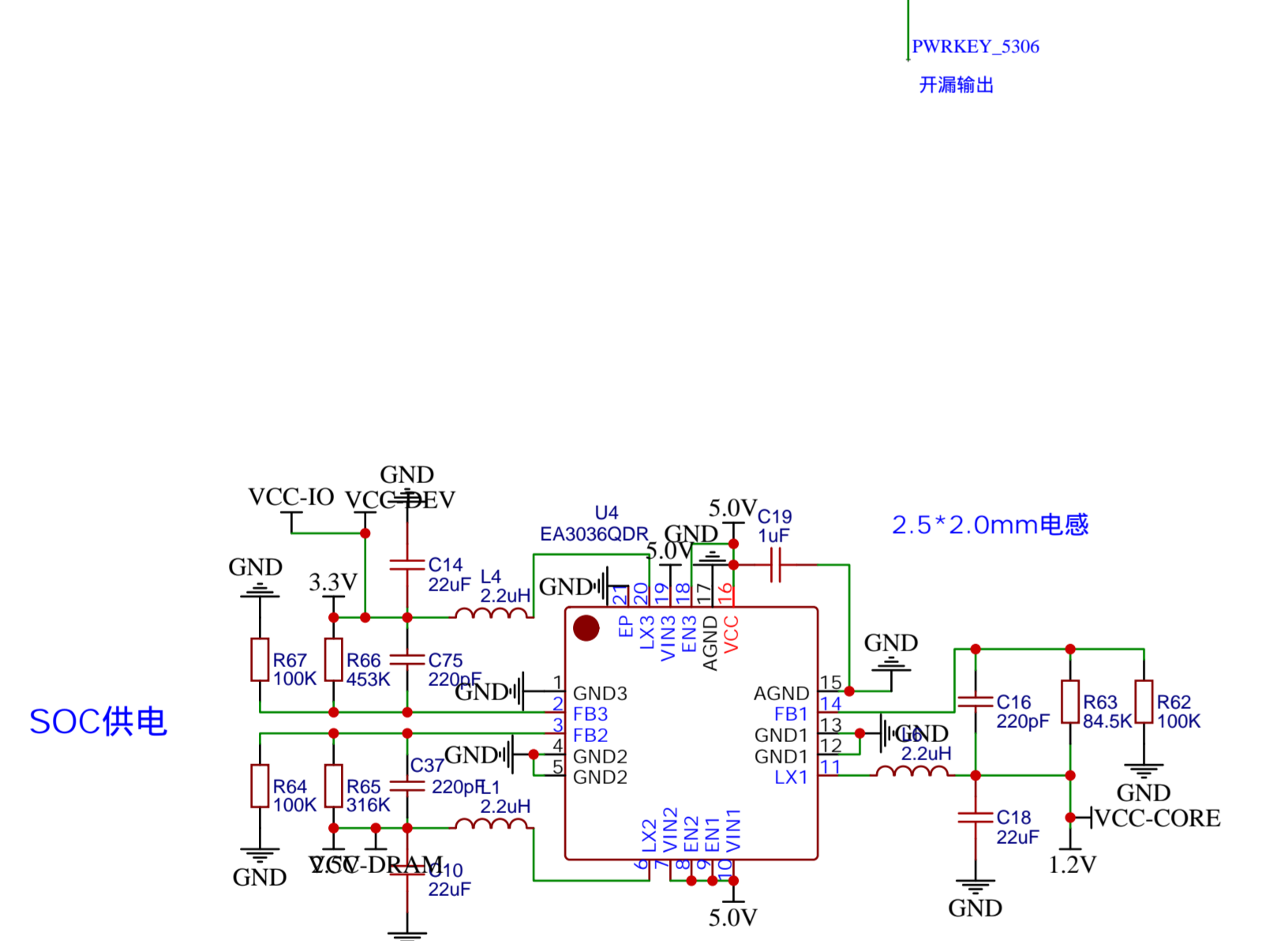
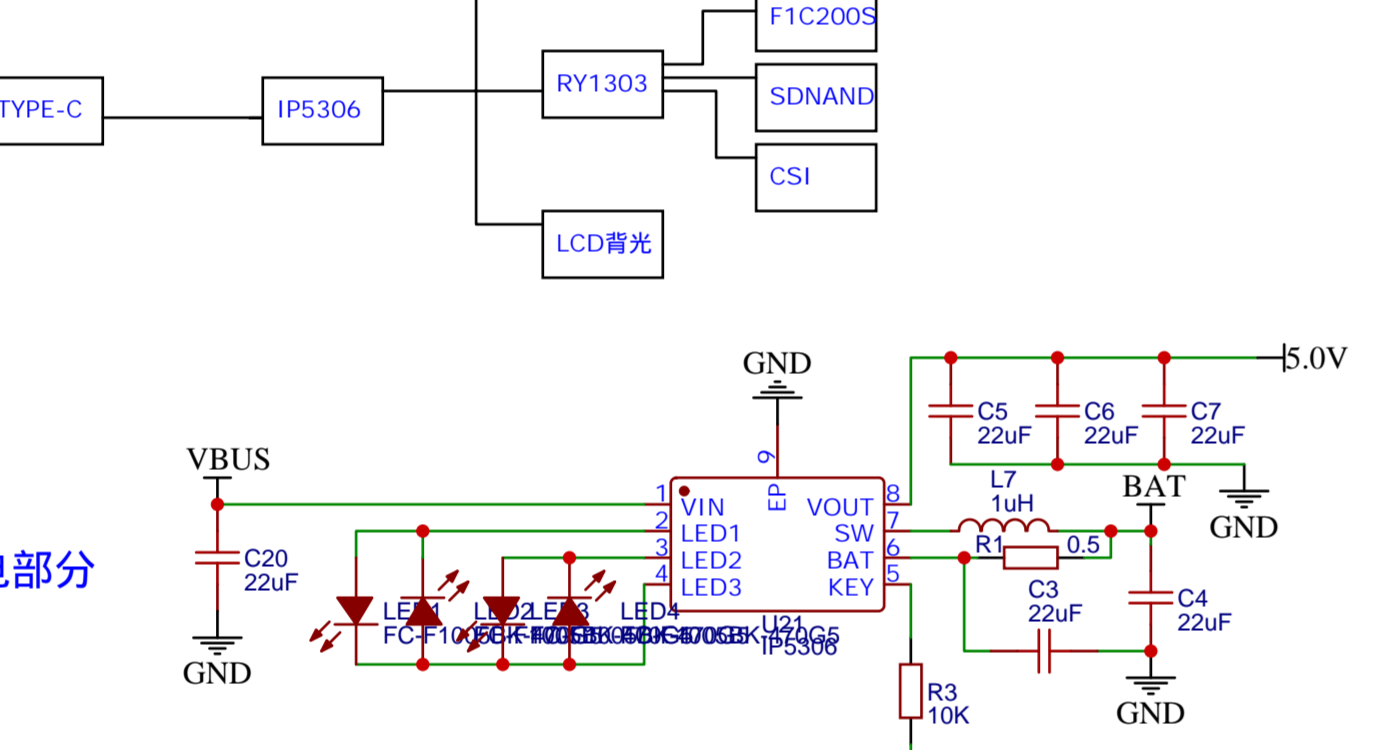


	MUX-HUB	MUX-SOC	MUX-TTL
1 PC-HUB-LF1C	1 VBUS	1 HUB3	1 HUB4
2 PC-LTA	0	0	0
SOC-HUB	0	0	0
SOC-LTA	0	0	0

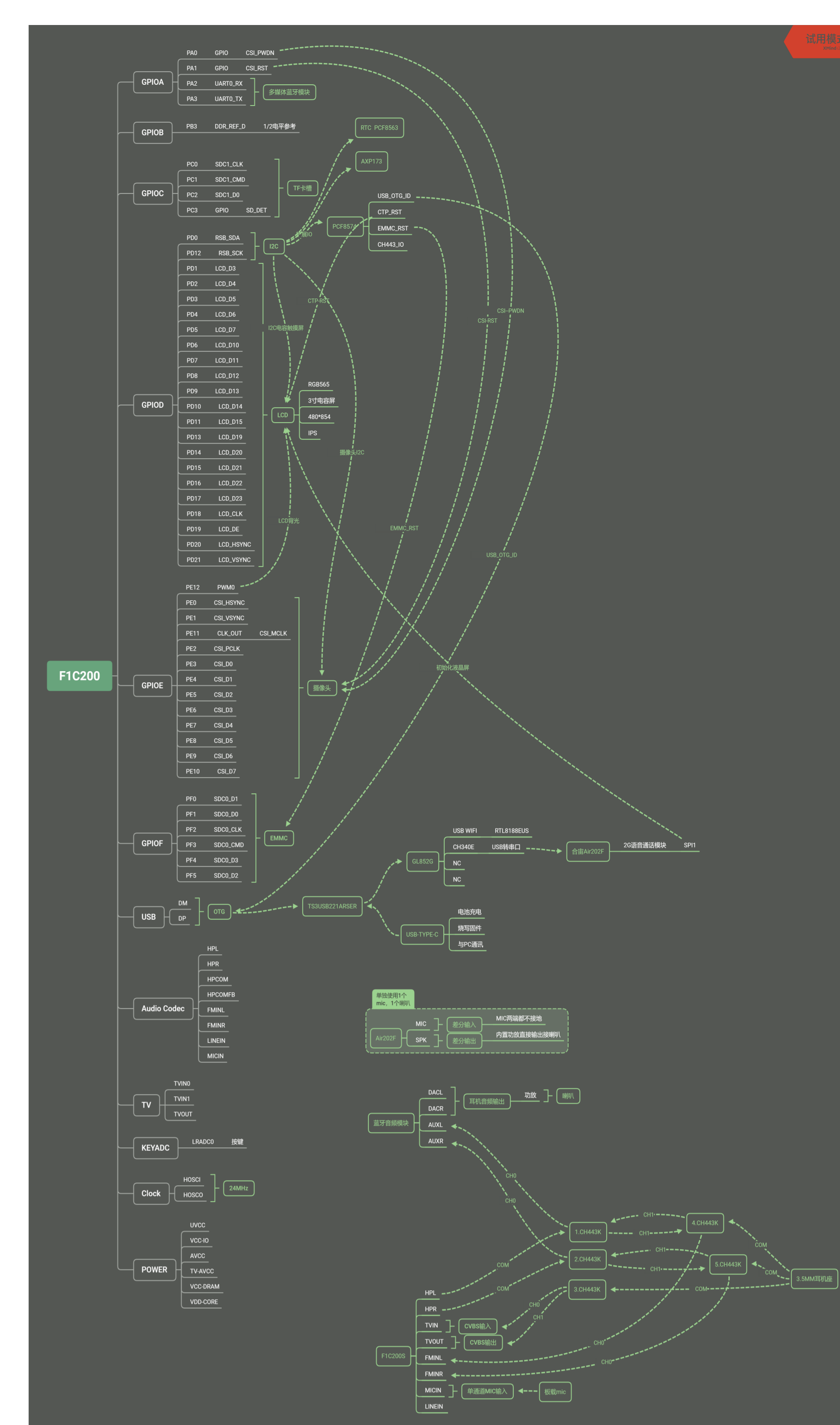
USB TYPE C



电源线路图



TITLE	PDA_CORE	REV	1.0
Company	DkaELEC	Sheet	1/1
Date	2020-01-18	Drawn By	dika



TF-SD NAND

