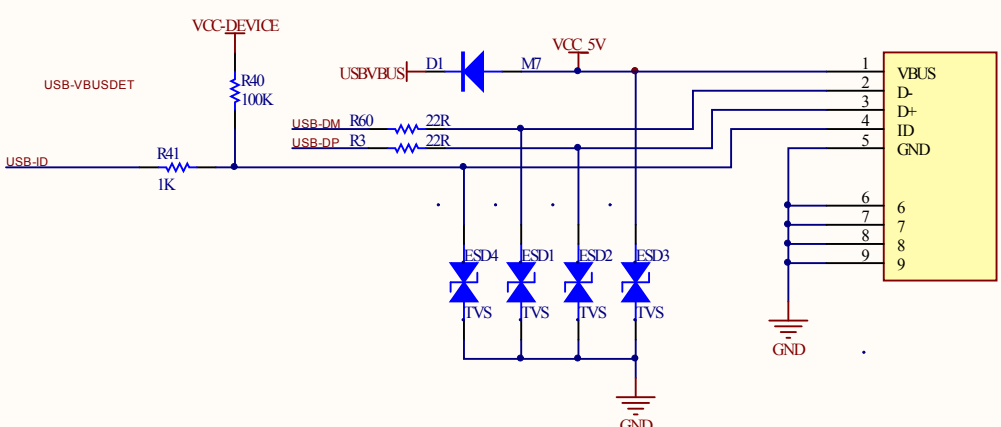
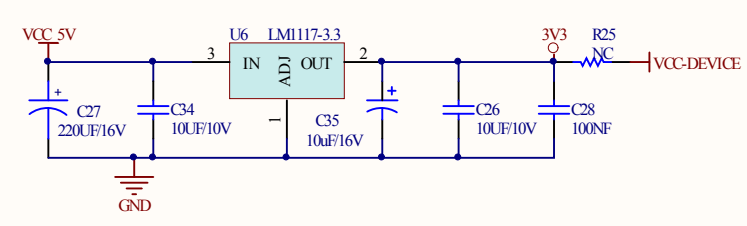
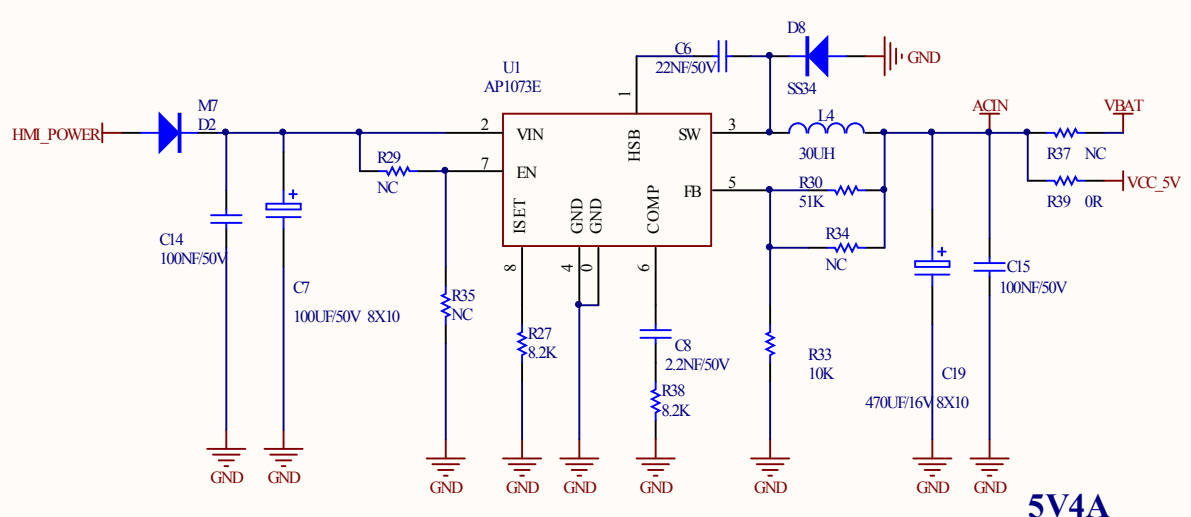
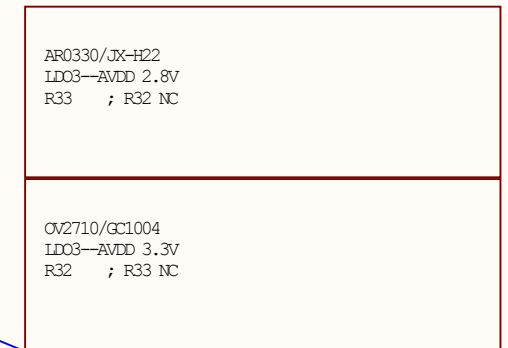
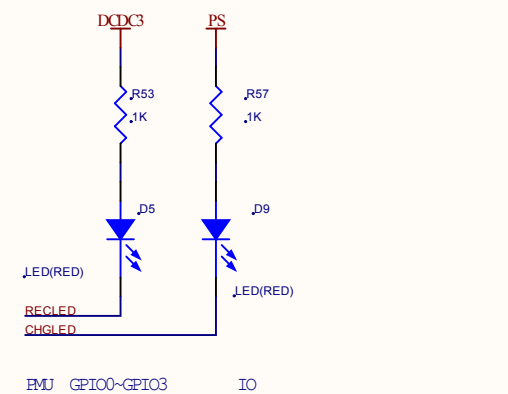
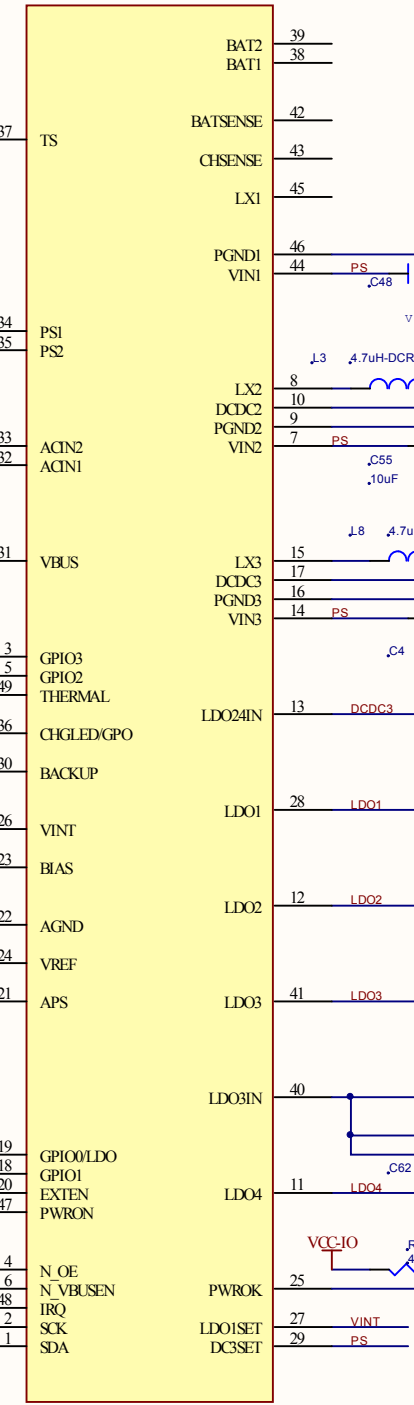
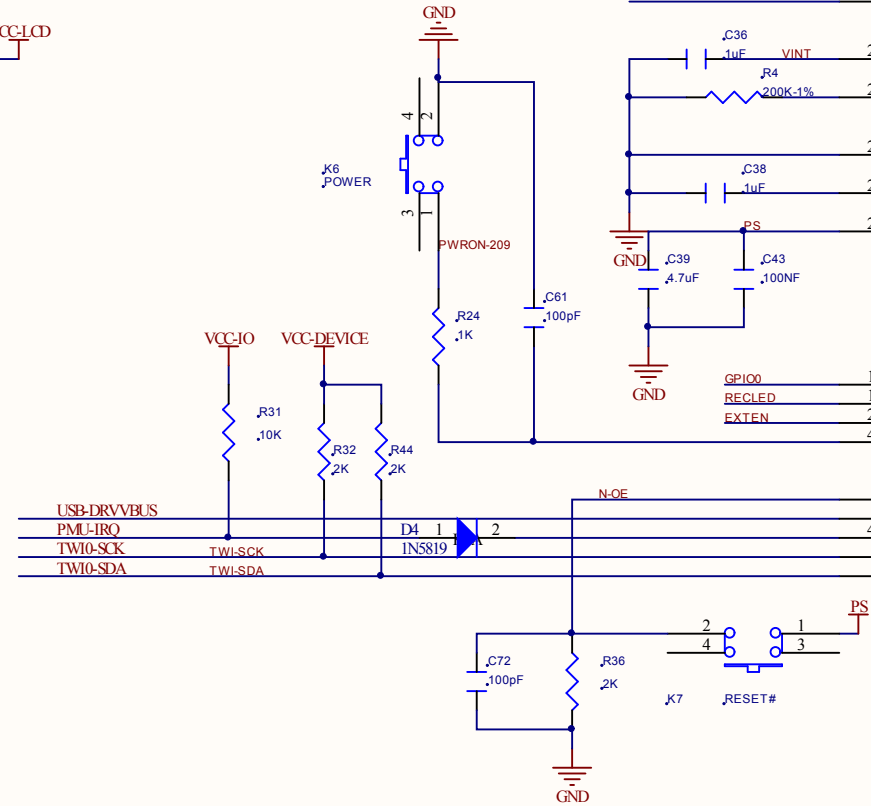
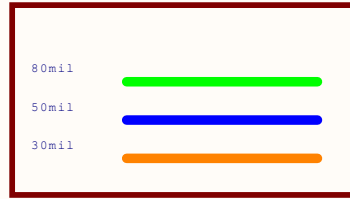
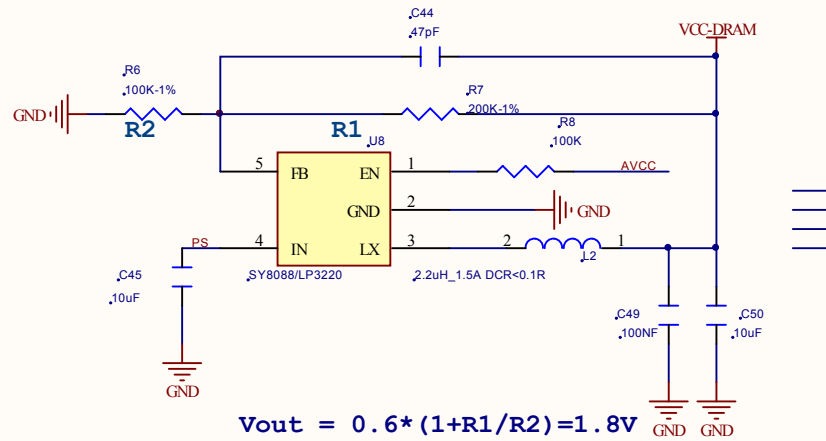
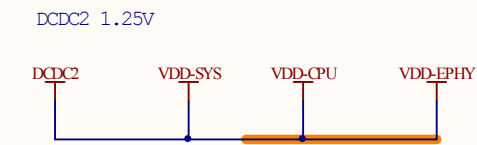
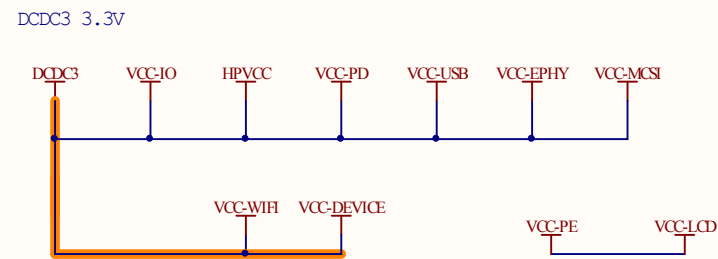
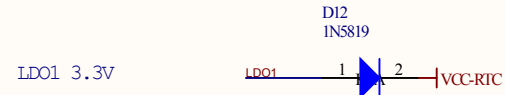
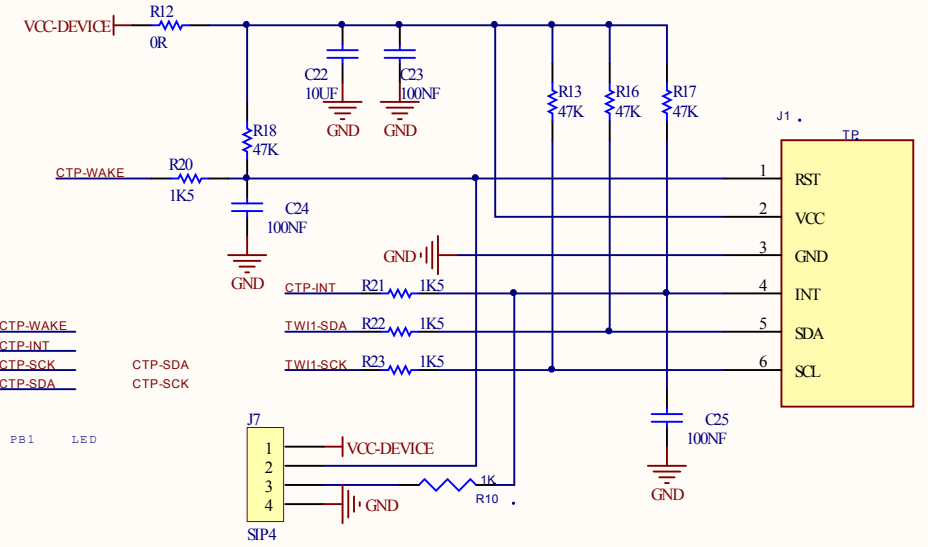
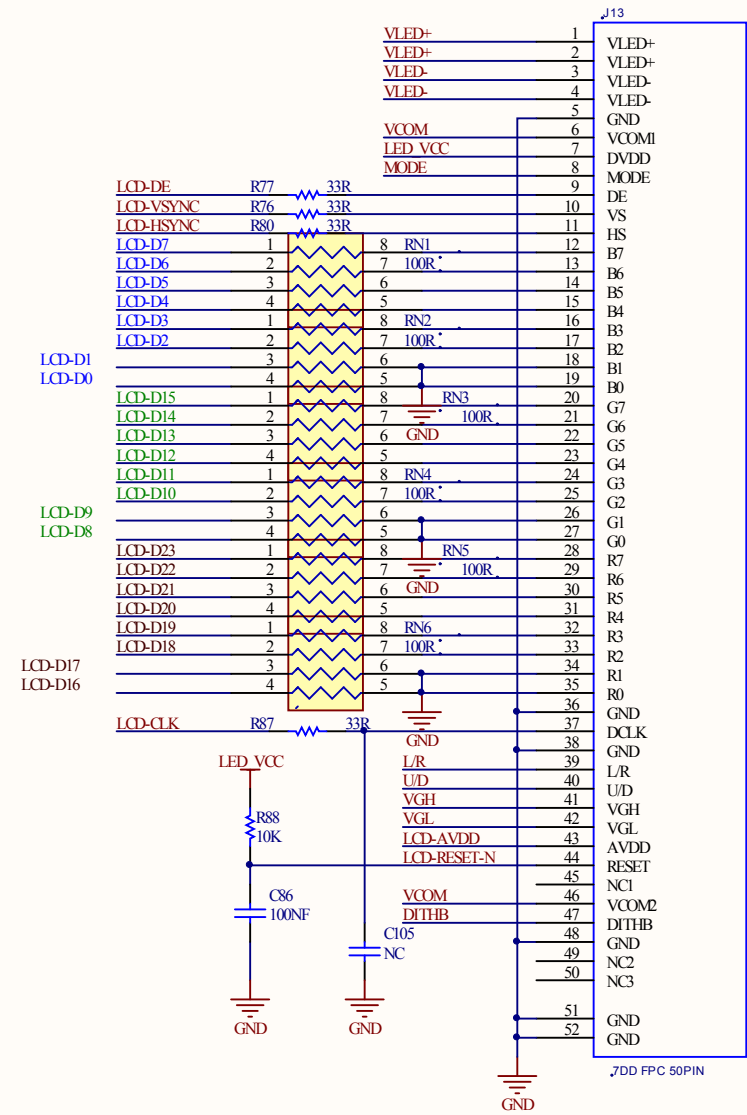
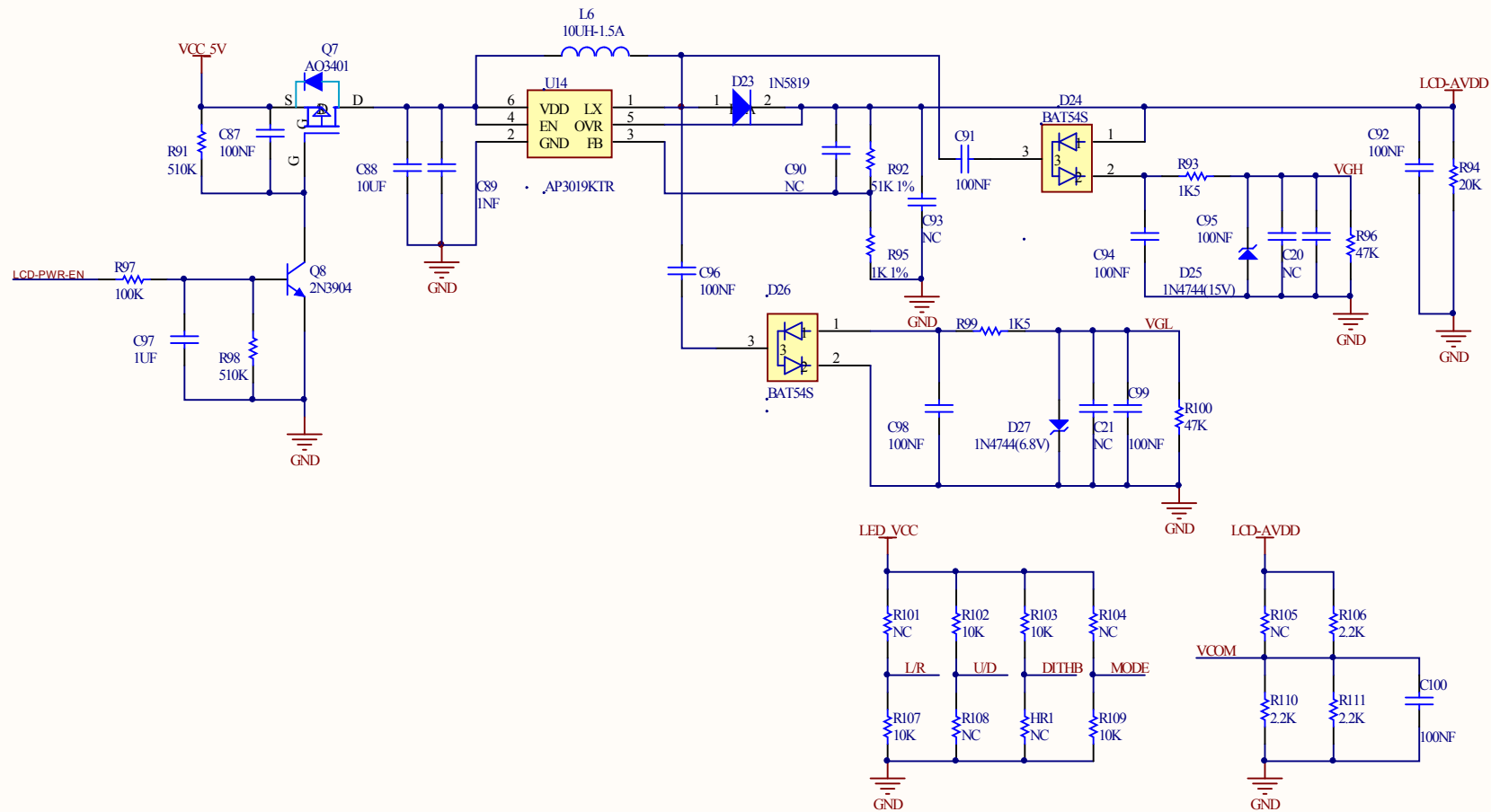
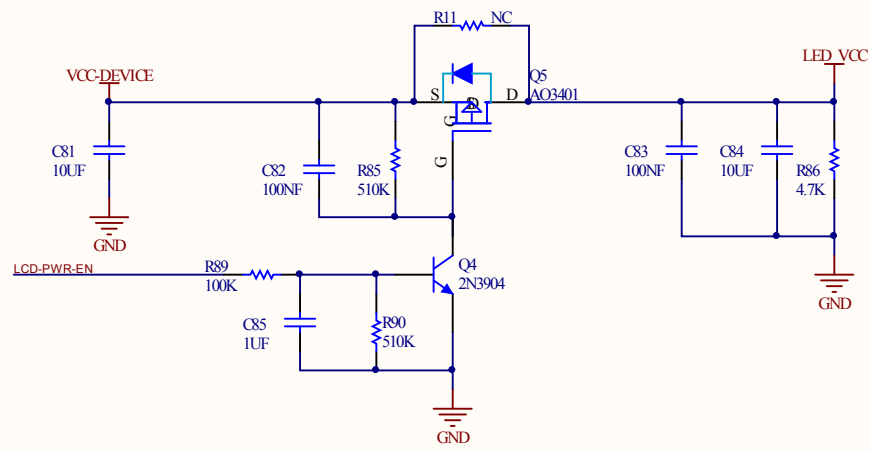
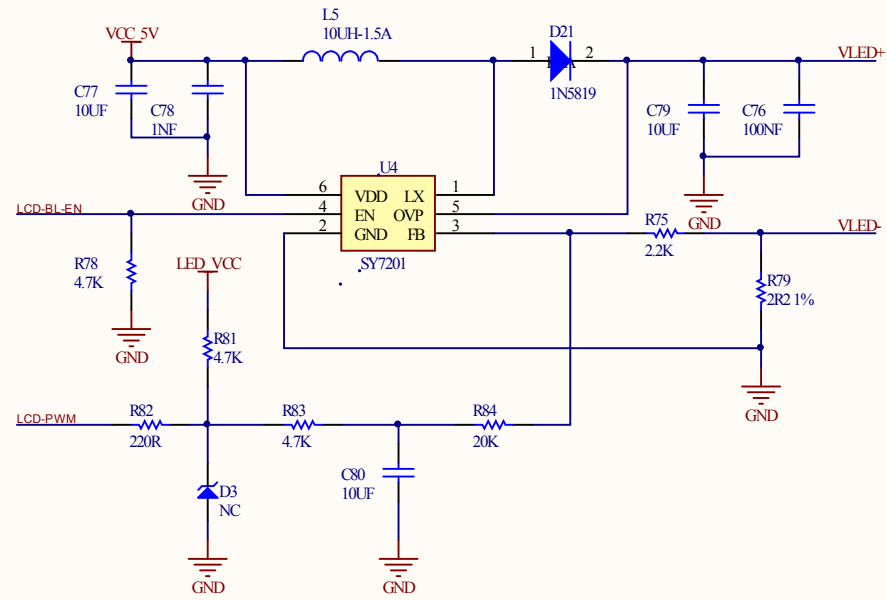


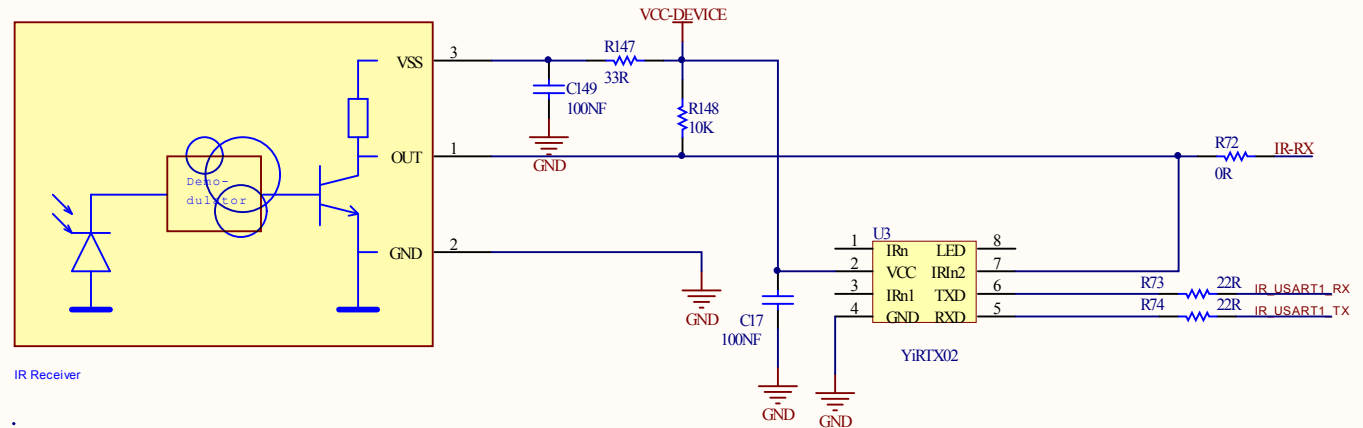


# POWER 1

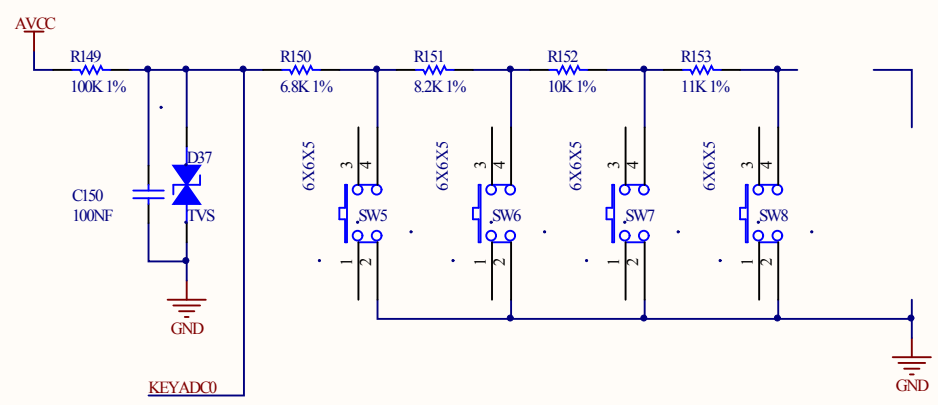
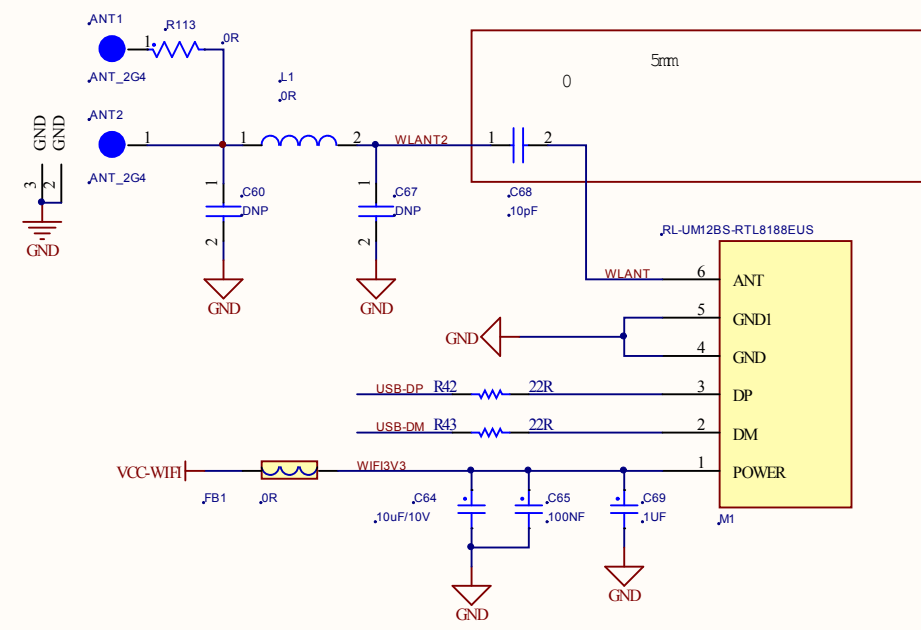
J2  
AXP203



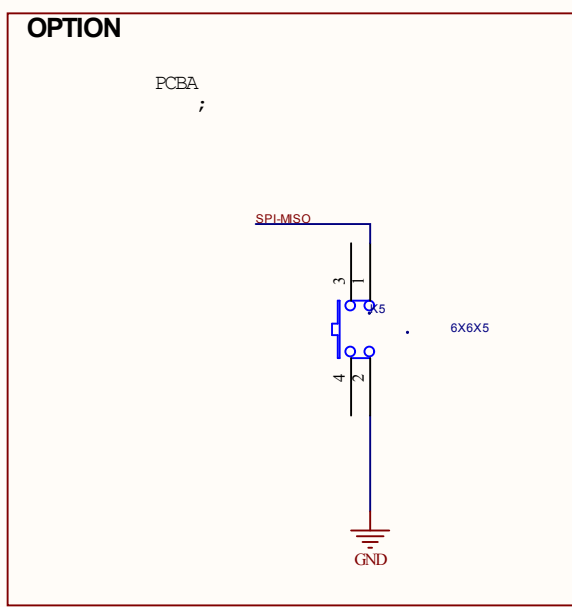


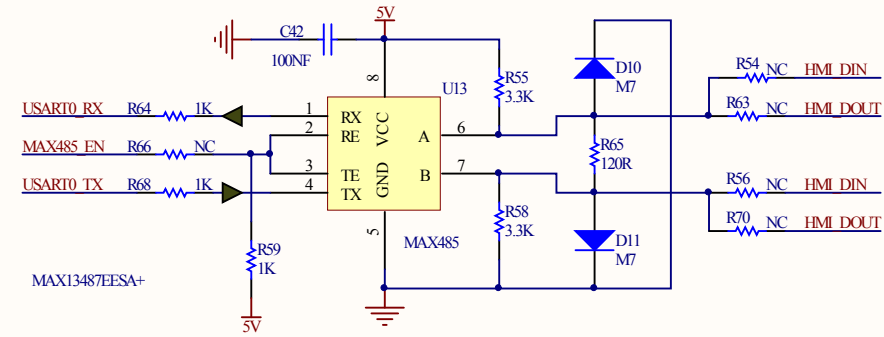
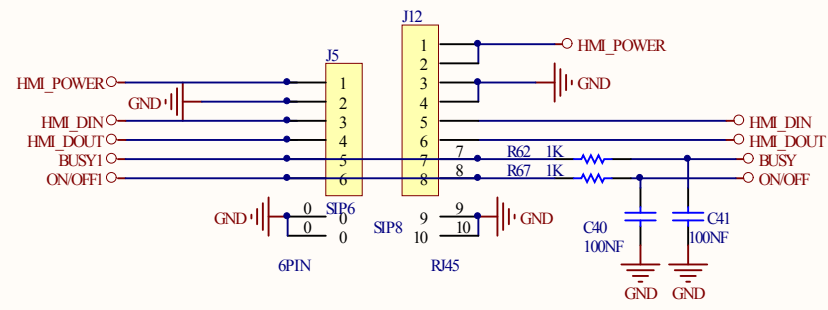


WIFI

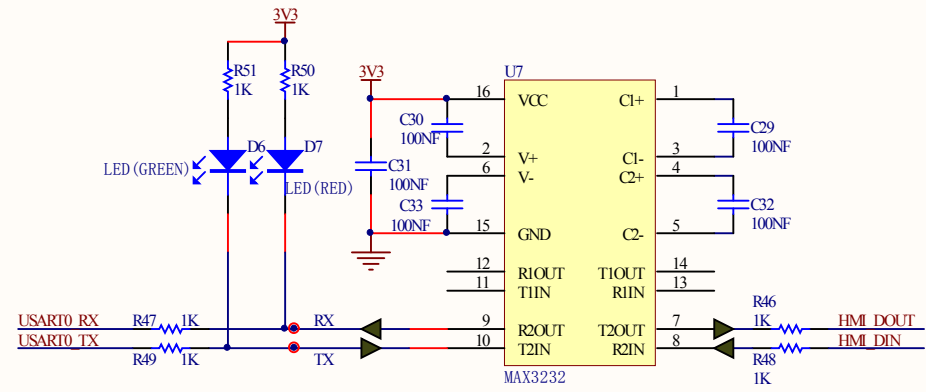


0.2V

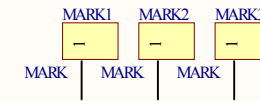




## RS485



## RS232



Title		
Size	Number	Revision
A3		
Date:	2017-11-22	Sheet of
File:	E:\ \05 MCU_Common.SchDoc	Drawn By: