

6

5

4

3

2

1

REVISION RECORD			
LTR	ECO NO.	APPROVED:	DATE:

History

Date	Version	Owner	Description
2012/09/30	V0.1	0x00j	30E1/2 at 3/4

D

D

C

C

6

5

4

3

2

1

REVISION RECORD			
LTR	ECO NO.	APPROVED:	DATE:

B

B

C

C

B

B

A

A

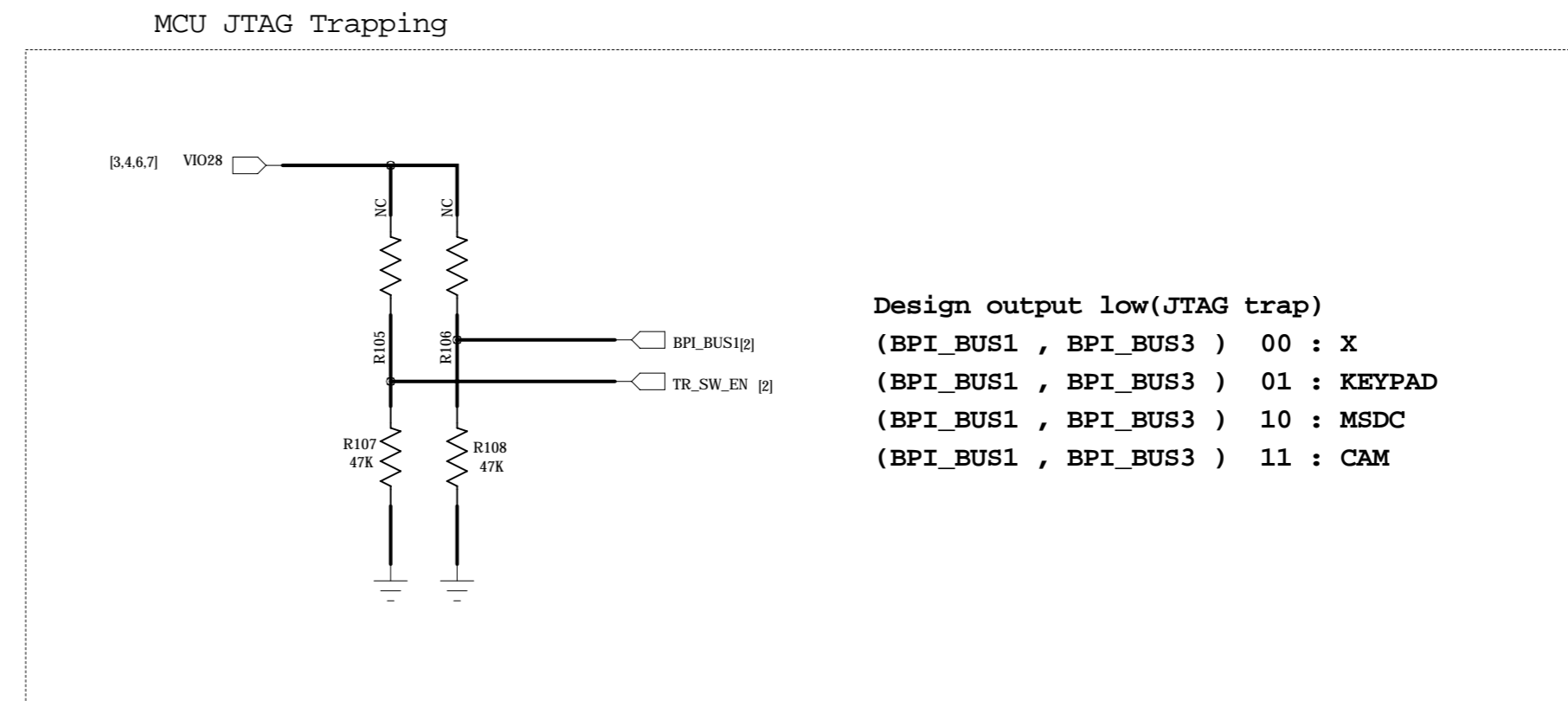
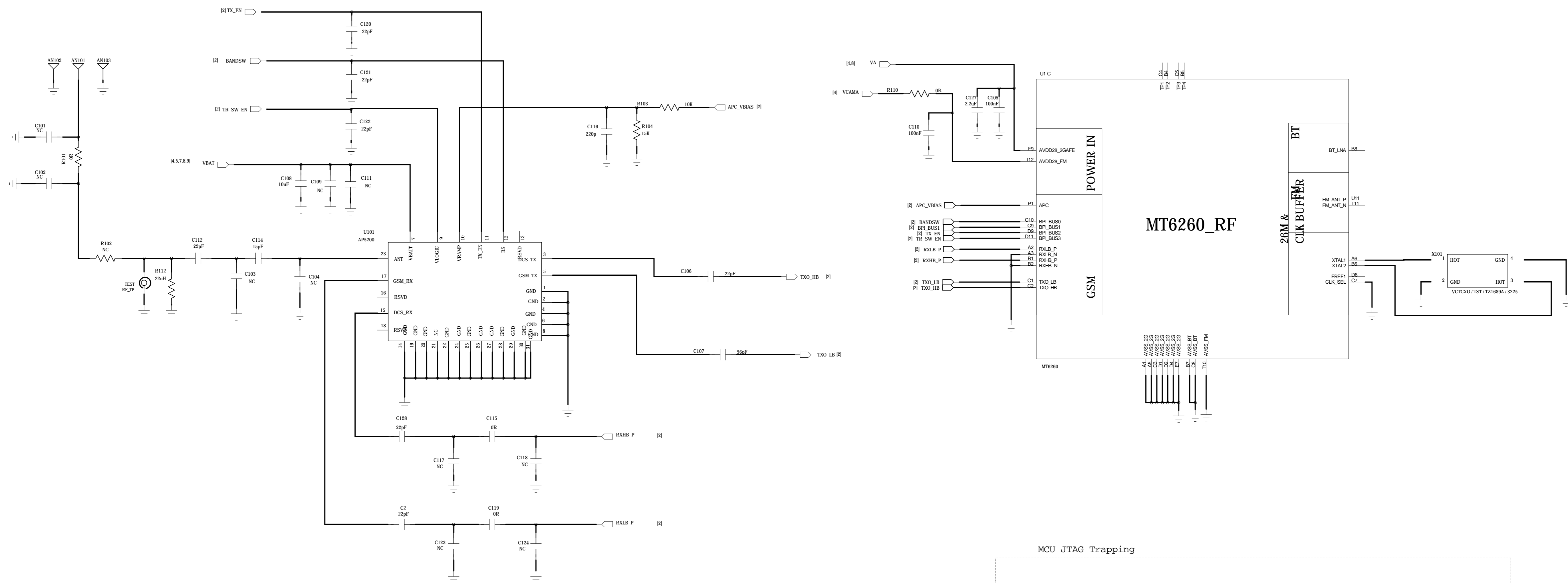
A

A

DRAWN: <Drawn By>		DATED: <Drawn Date>		COMPANY: <Company Name>			
CHECKED: <Checked By>		DATED: <Checked Date>		TITLE: <Title>			
QUALITY CONTROL: <QC By>		DATED: <QC Date>		CODE: <Code>	SIZE: A1	DRAWING NO: <Drawing Number><Revision>	
RELEASED: <Released By>		DATED: <Release Date>		SCALE: <Scale>		SHEET: 4 of 9	

DRAWN: <Drawn By>		DATED: <Drawn Date>		COMPANY: <Company Name>			
CHECKED: <Checked By>		DATED: <Checked Date>		TITLE: <Title>			
QUALITY CONTROL: <QC By>		DATED: <QC Date>		CODE: <Code>	SIZE: A1	DRAWING NO: <Drawing Number><Revision>	
RELEASED: <Released By>		DATED: <Release Date>		SCALE: <Scale>		SHEET: 4 of 9	

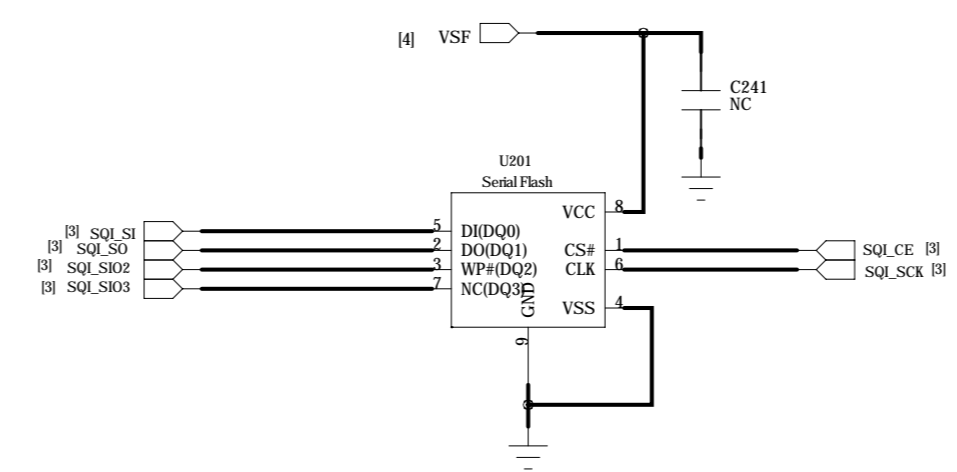
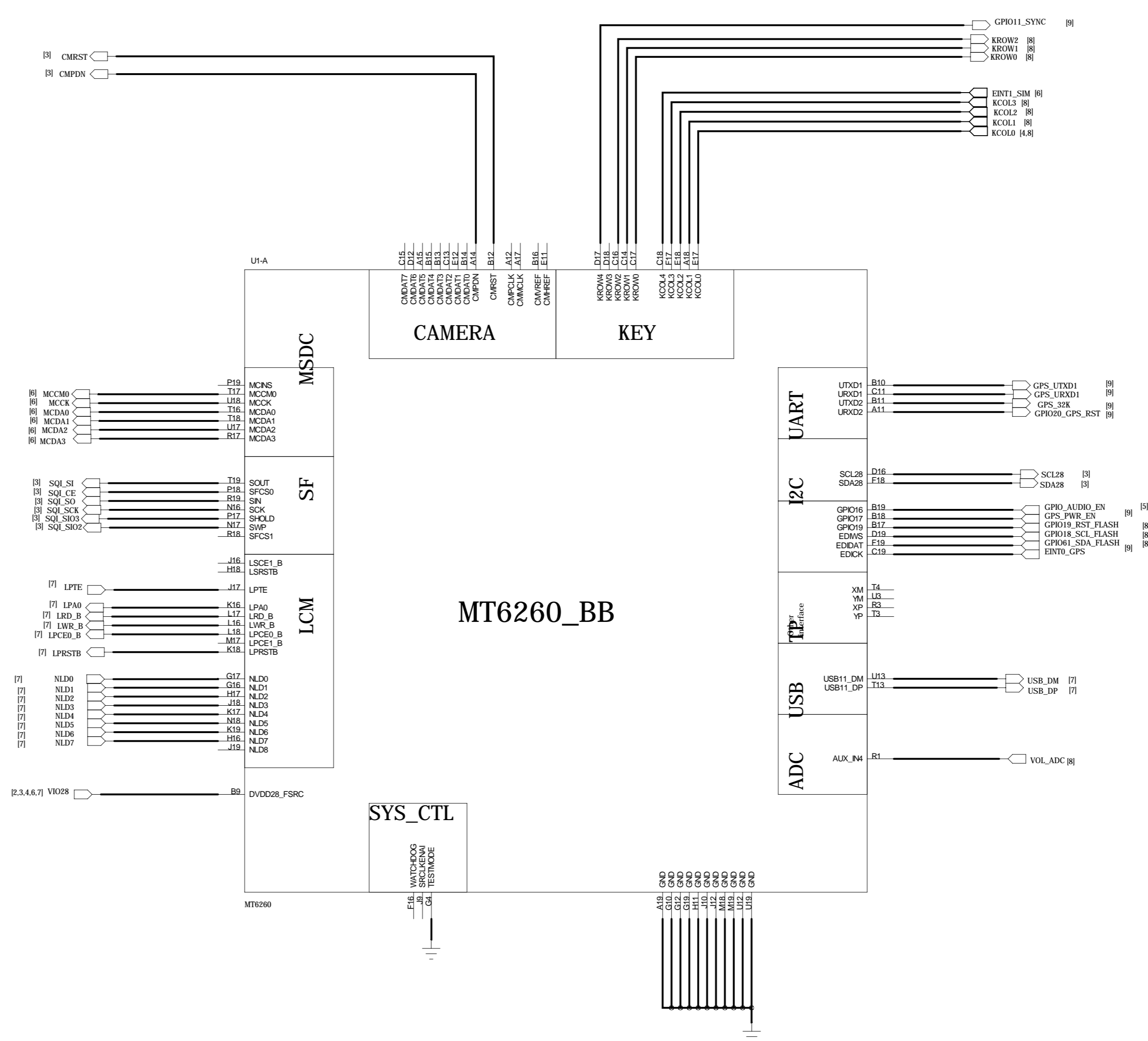
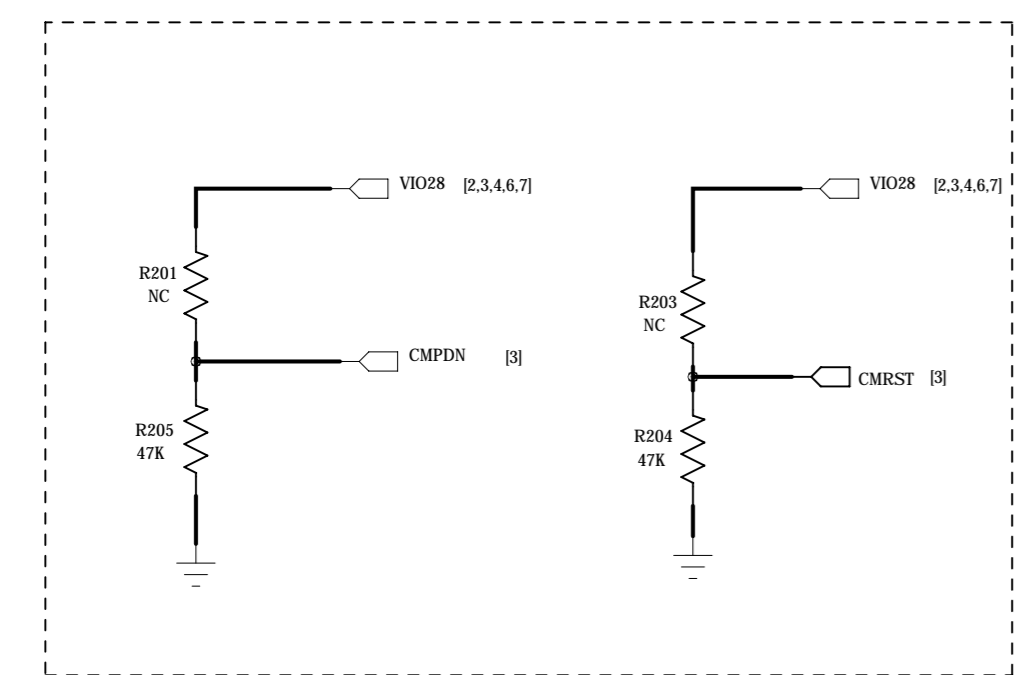
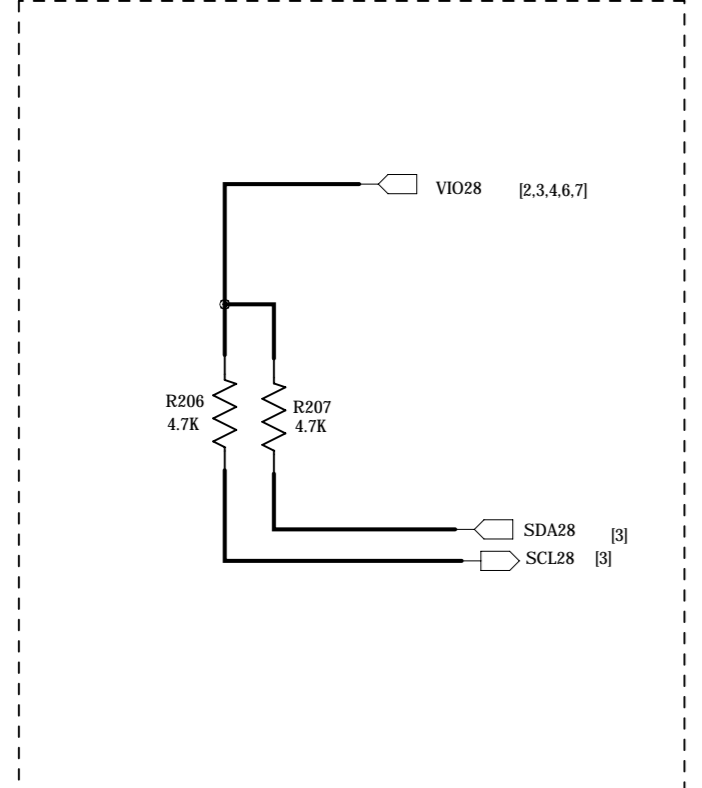
REVISION RECORD			
LTR	ECO NO.	APPROVED:	DATE:



- M801 FIDUCIAL
- M802 FIDUCIAL
- M3 FIDUCIAL
- M1 FIDUCIAL
- M2 FIDUCIAL
- M4 FIDUCIAL

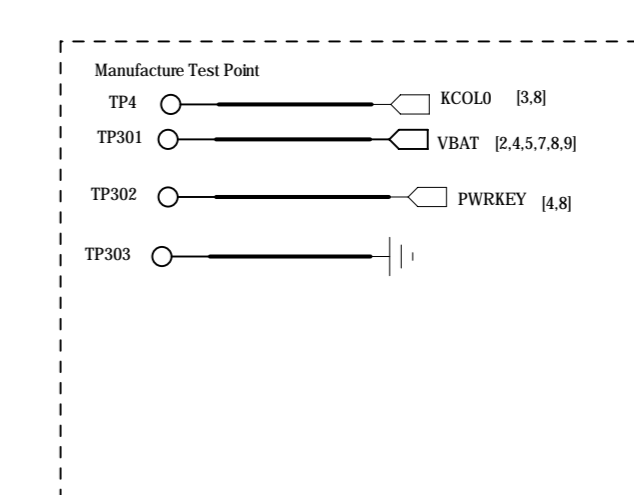
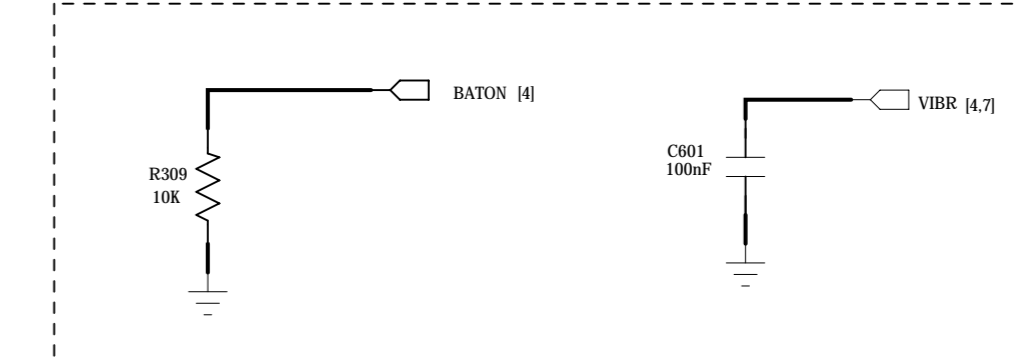
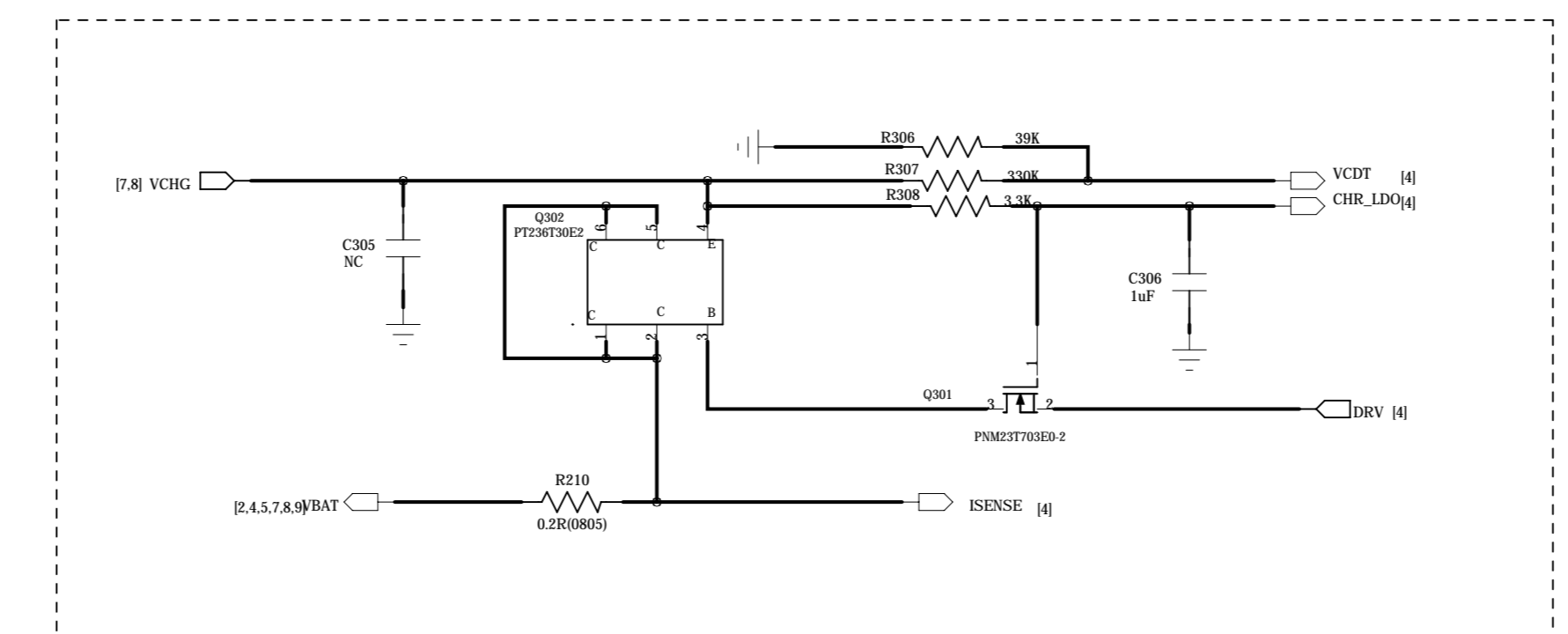
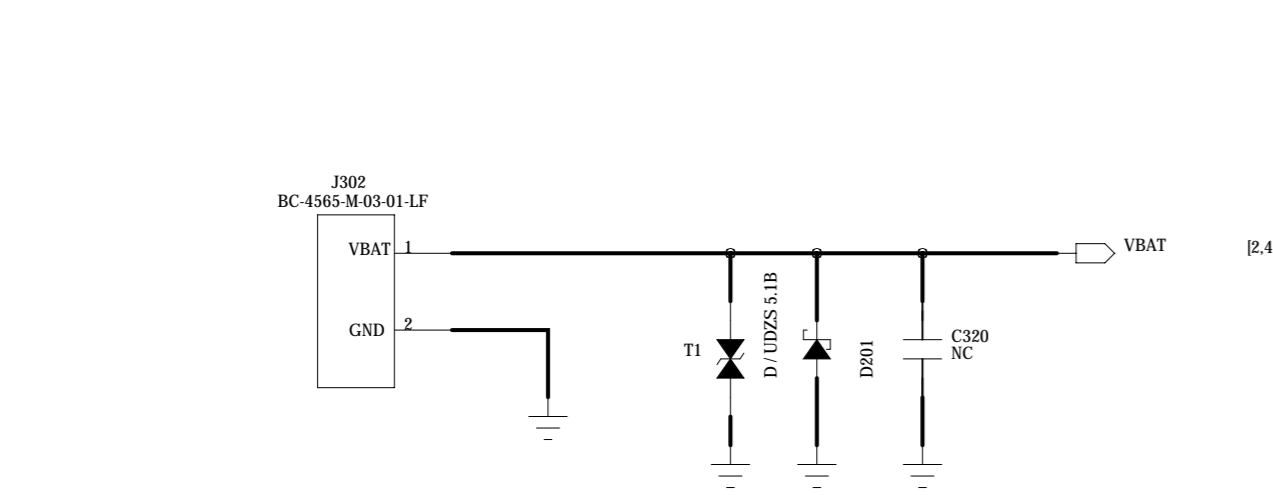
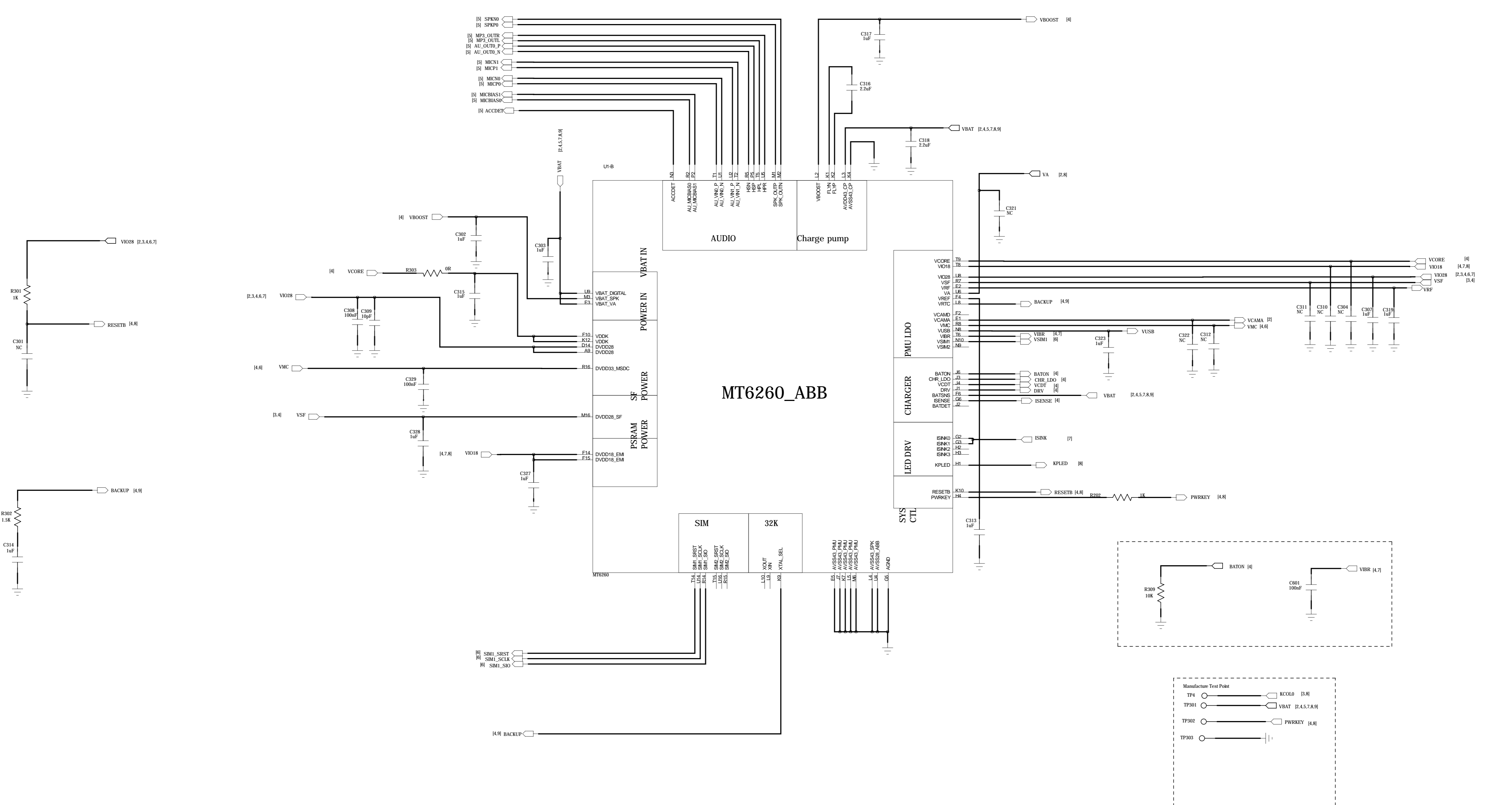
COMPANY:			
TITLE:			
DRAWN:	DATED:	CODE:	SIZE:
CHECKED:	DATED:	DRAWING NO.:	REV:
QUALITY CONTROL:	DATED:		
RELEASED:	DATED:		
SCALE:			SHEET OF

REVISION RECORD			
LTR	ECO NO.	APPROVED:	DATE:



COMPANY:				
TITLE:				
DRAWN:	DATED:	CODE:	SIZE:	DRAWING NO.:
CHECKED:	DATED:			REV:
QUALITY CONTROL:	DATED:			
RELEASED:	DATED:	SCALE:	SHEET: OF	

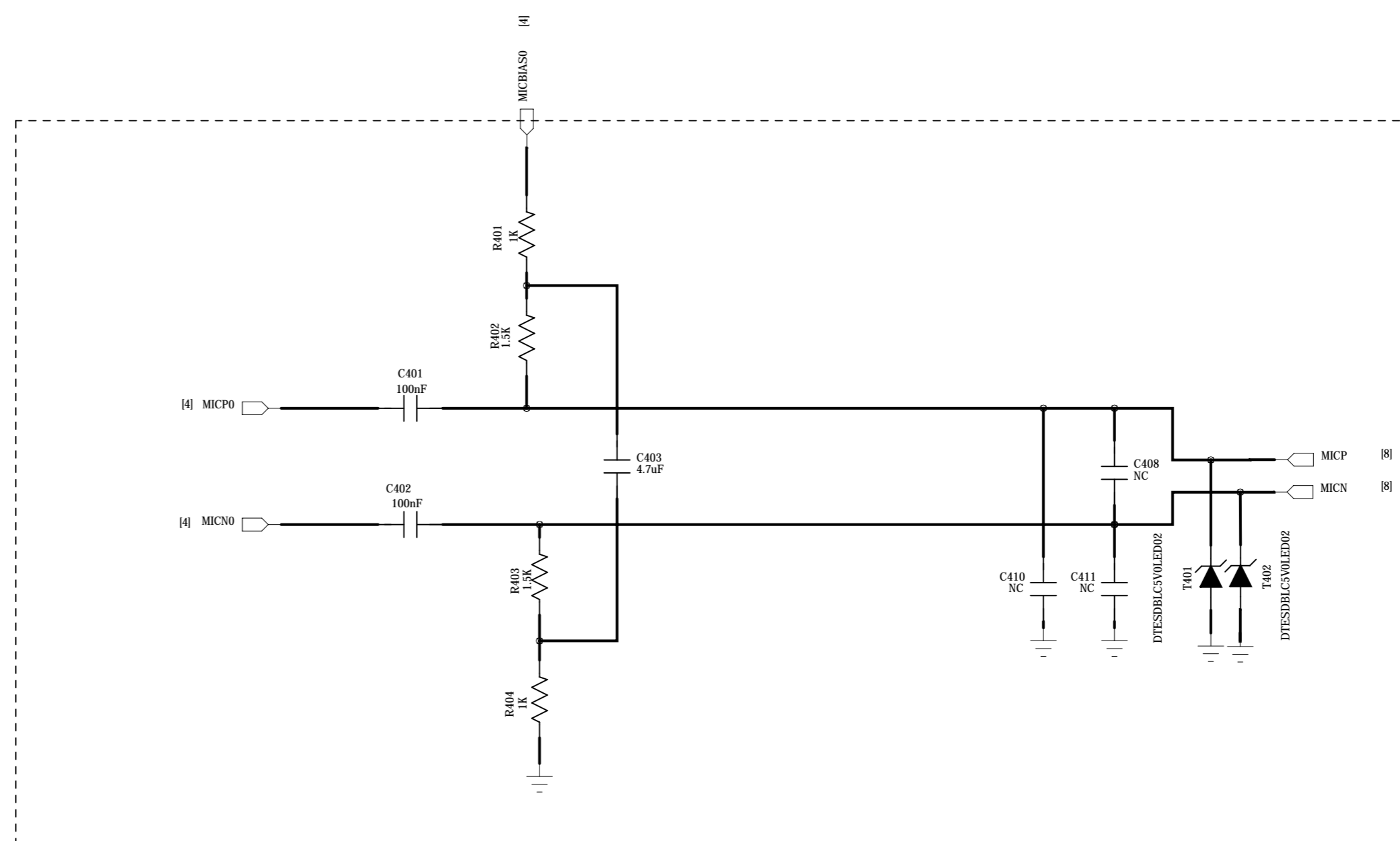
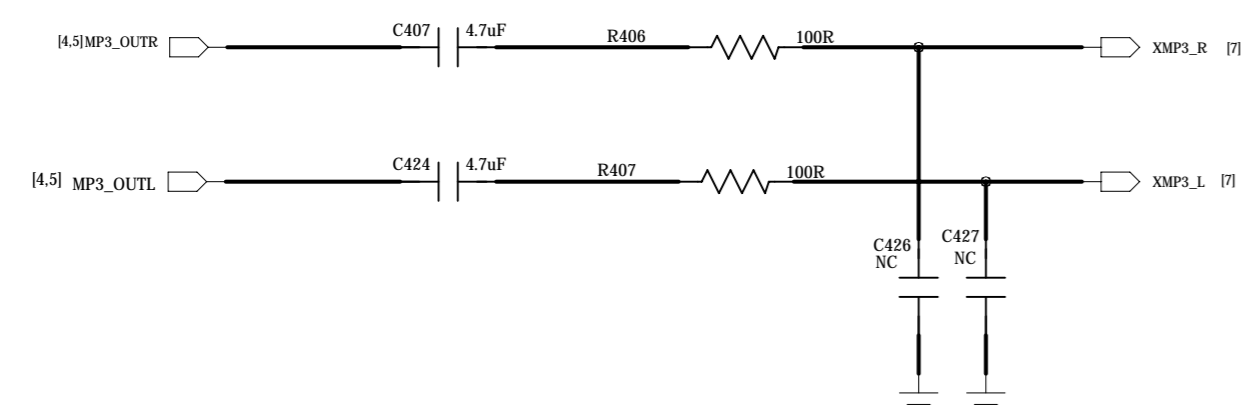
REVISION RECORD			
LTR	ECO NO.	APPROVED:	DATE:



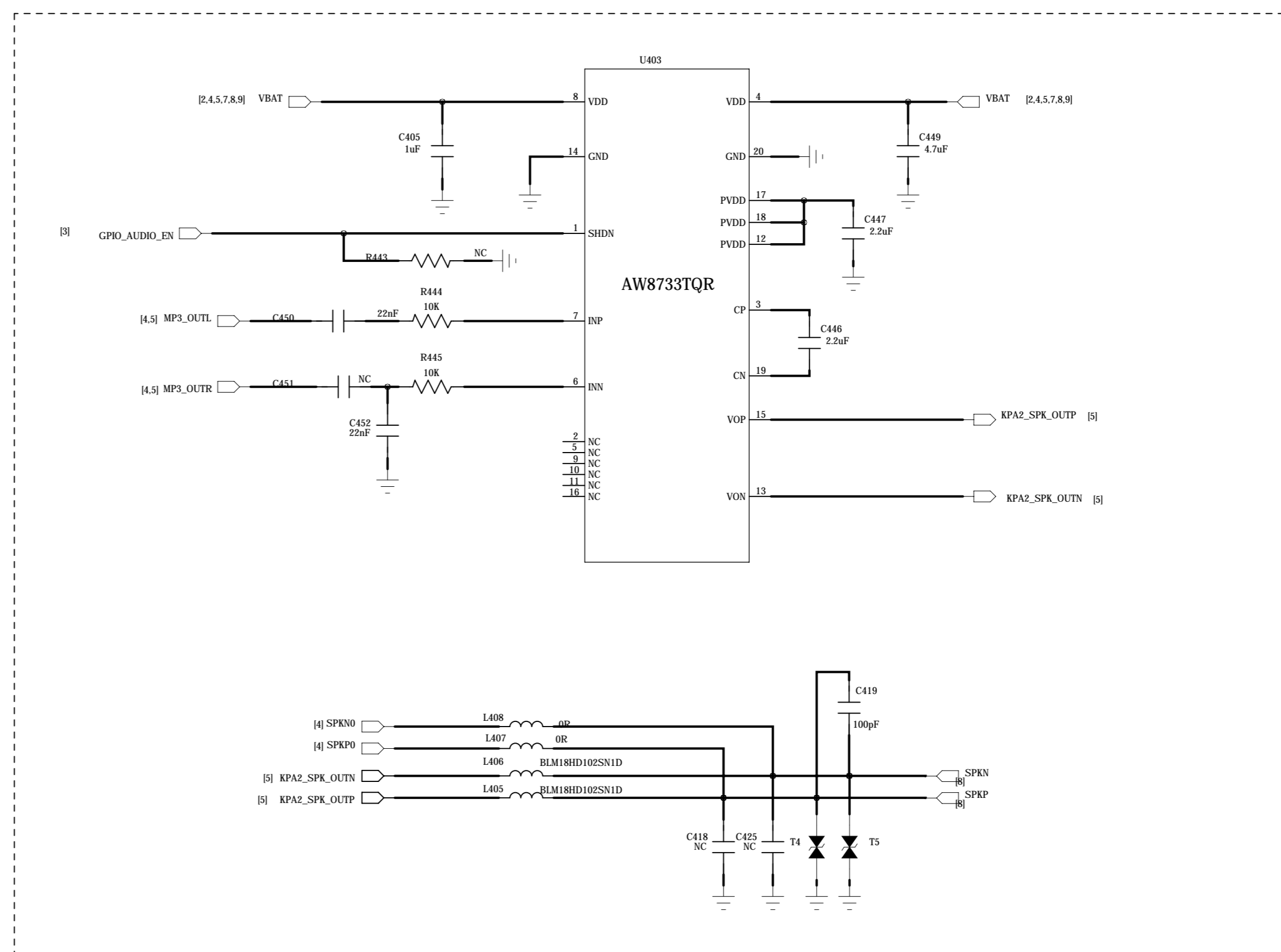
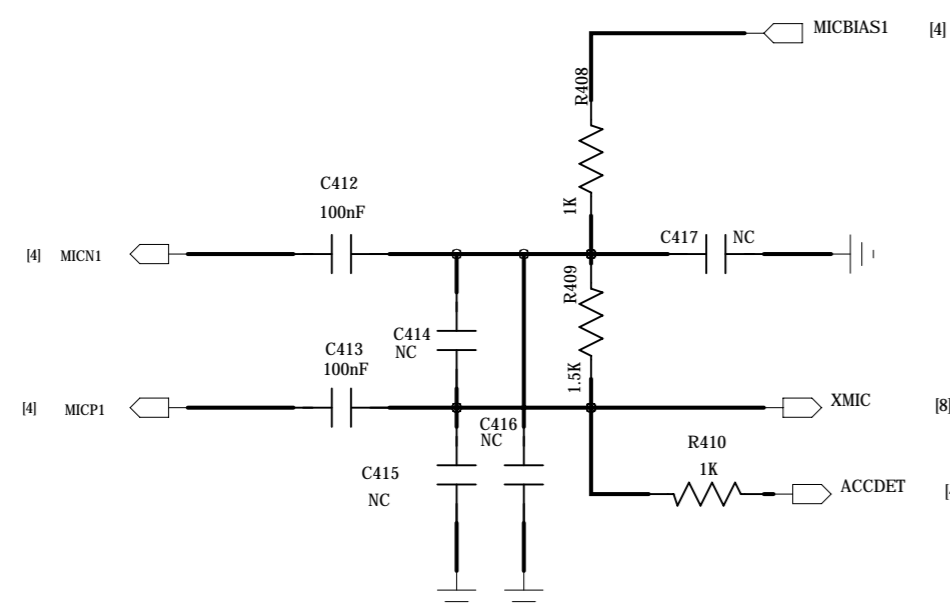
DRAWN:		DATED:		COMPANY:	
CHECKED:		DATED:		TITLE:	
QUALITY CONTROL:		DATED:		CODE:	SIZE:
RELEASED:		DATED:		DRAWING NO.:	REV.:
SCALE:				SHEET: OF	

REVISION RECORD			
LTR	ECO NO.	APPROVED	DATE

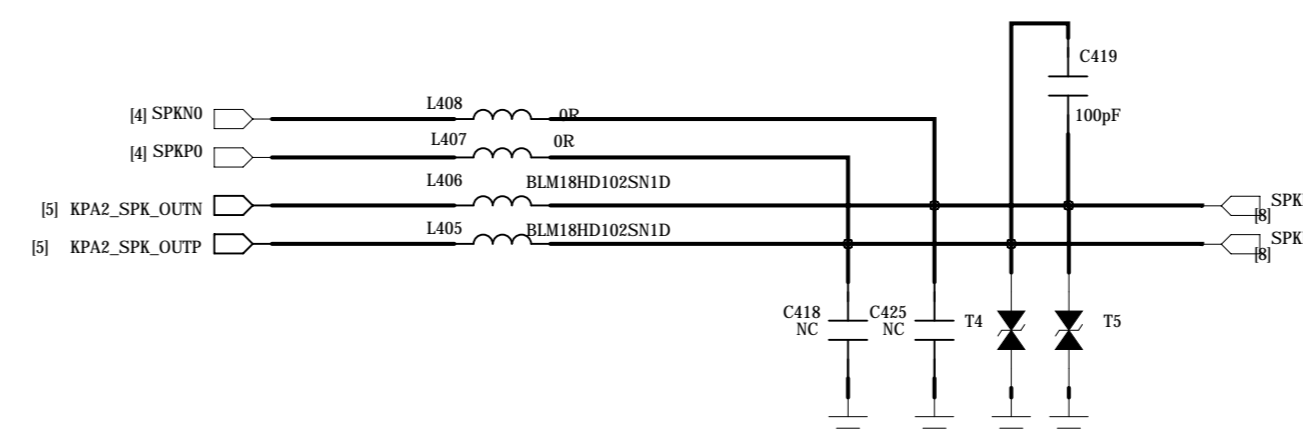
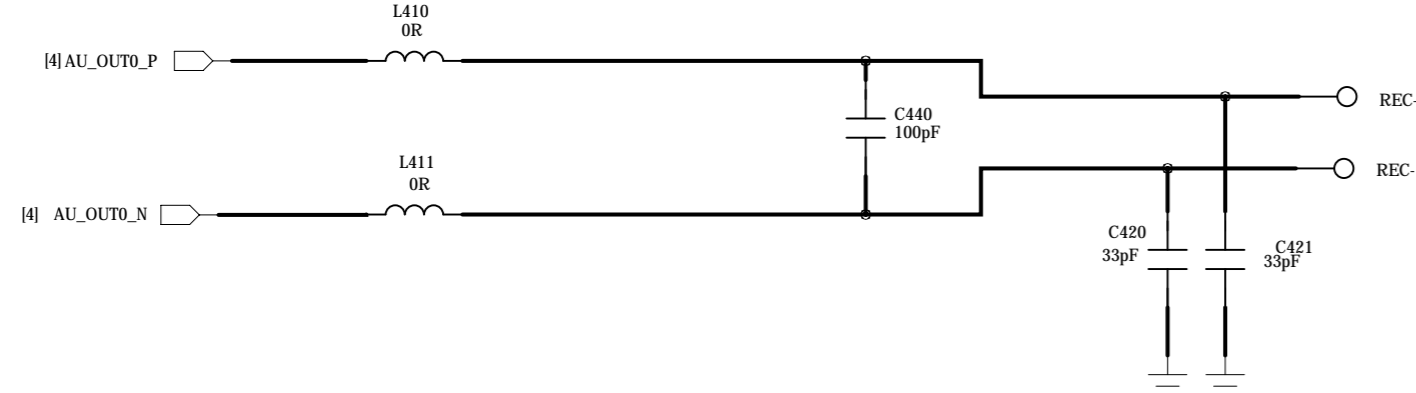
Place these parts closed to BASEBAND



HEAD PHONE MIC FOR MAIN PHONE

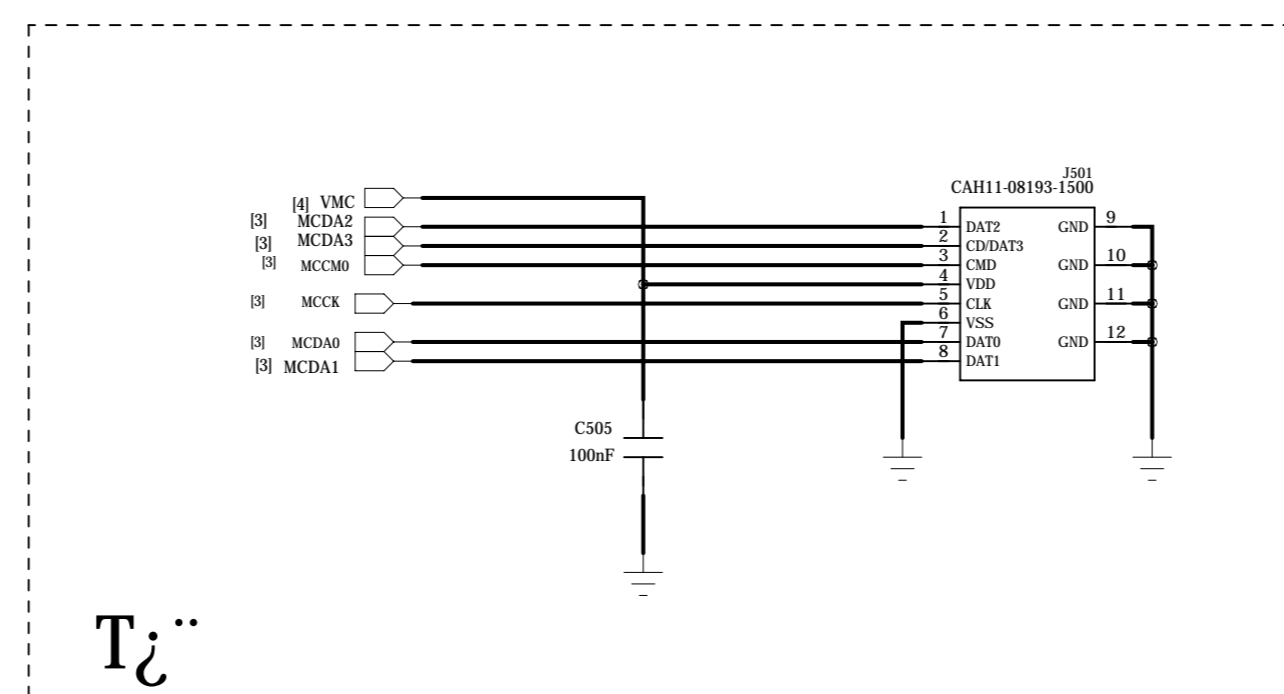
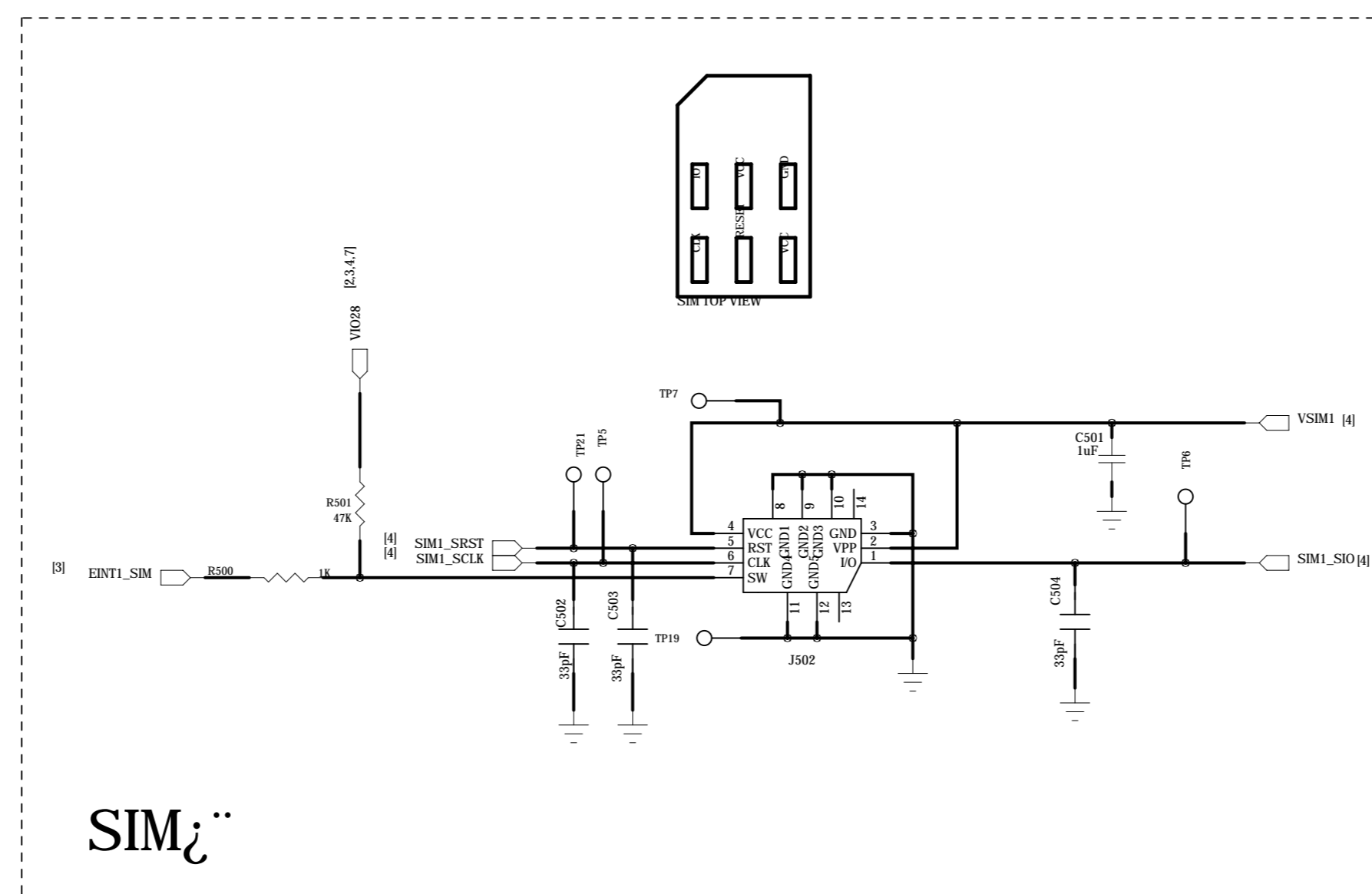


iyi²



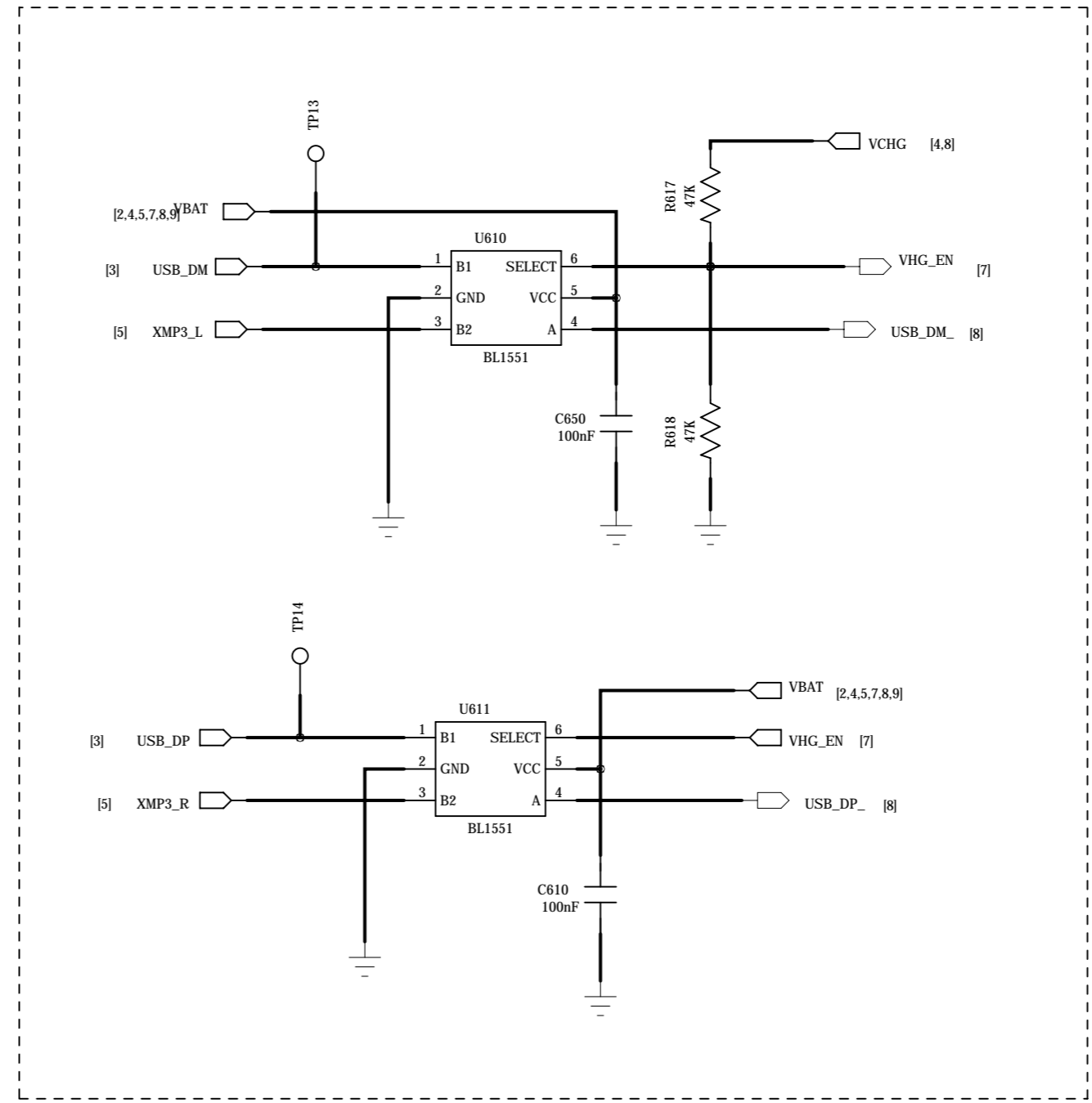
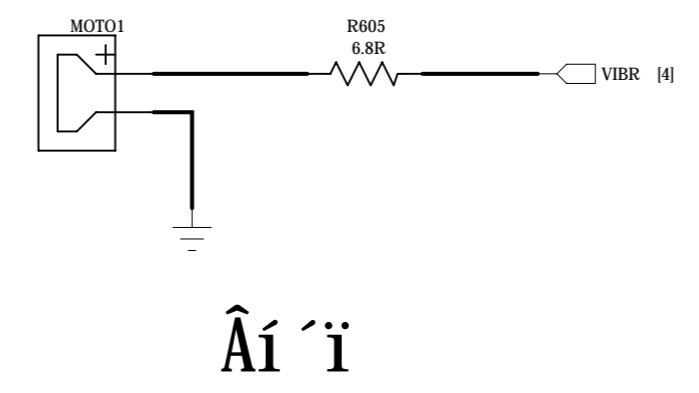
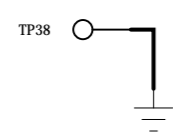
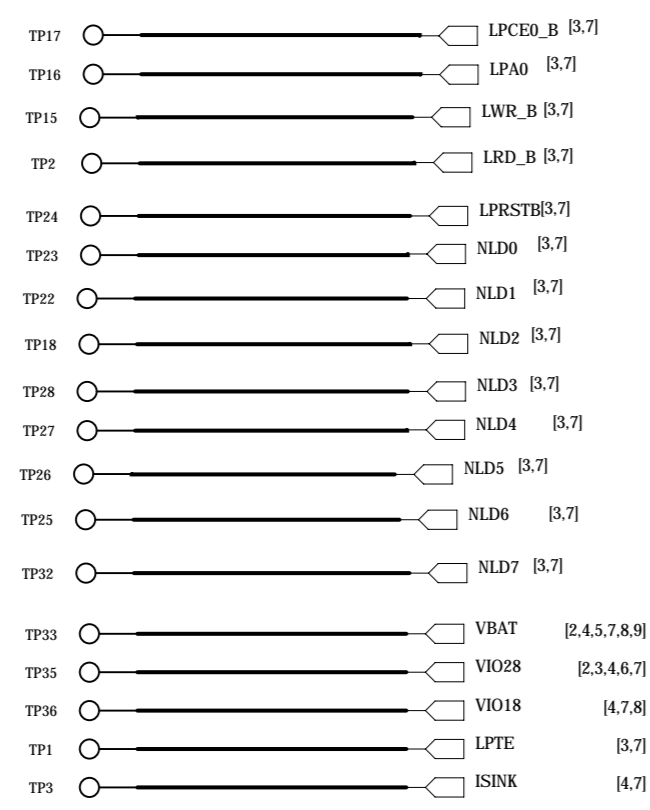
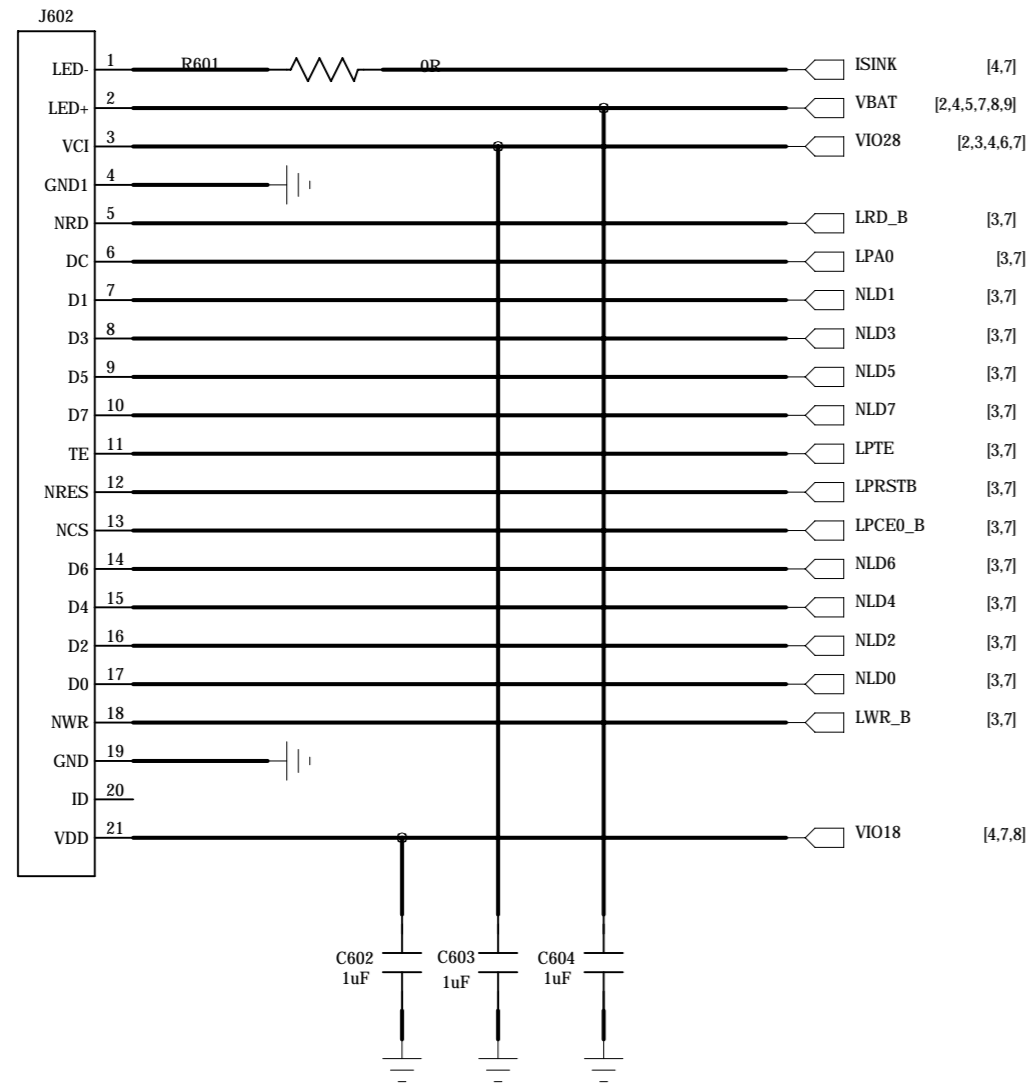
COMPANY:				
TITLE:				
DRAWN:	DATED:	CODE:	SIZE:	DRAWING NO.:
CHECKED:	DATED:			REV:
QUALITY CONTROL:	DATED:			
RELEASED:	DATED:	SCALE:	SHEET: OF	

REVISION RECORD			
LTR	ECO NO.	APPROVED:	DATE:



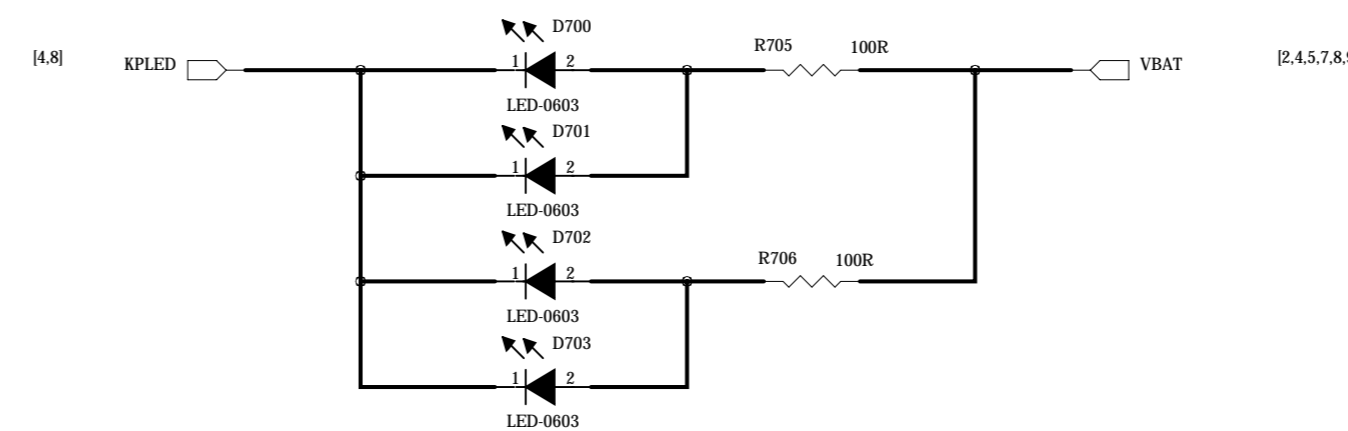
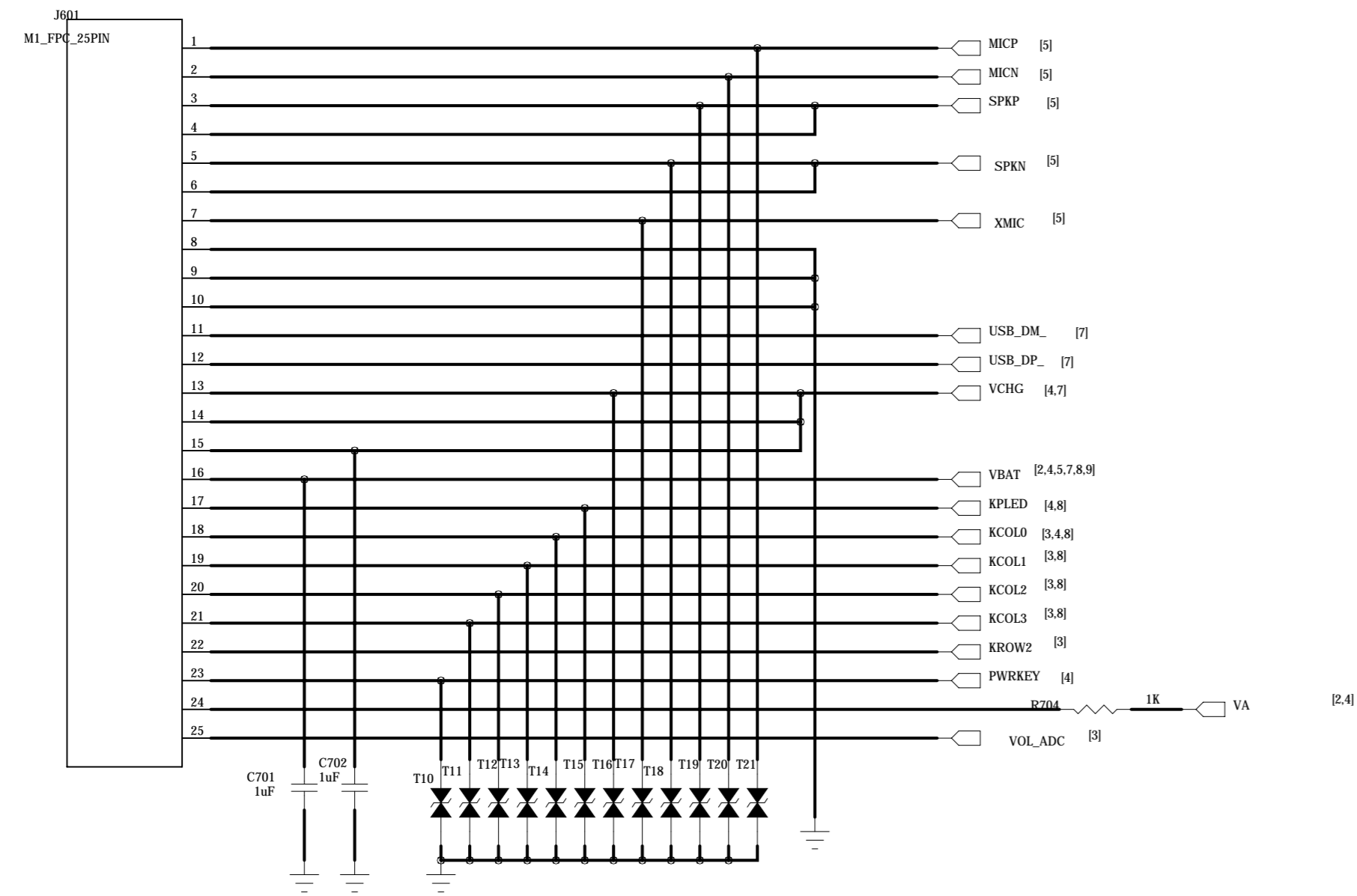
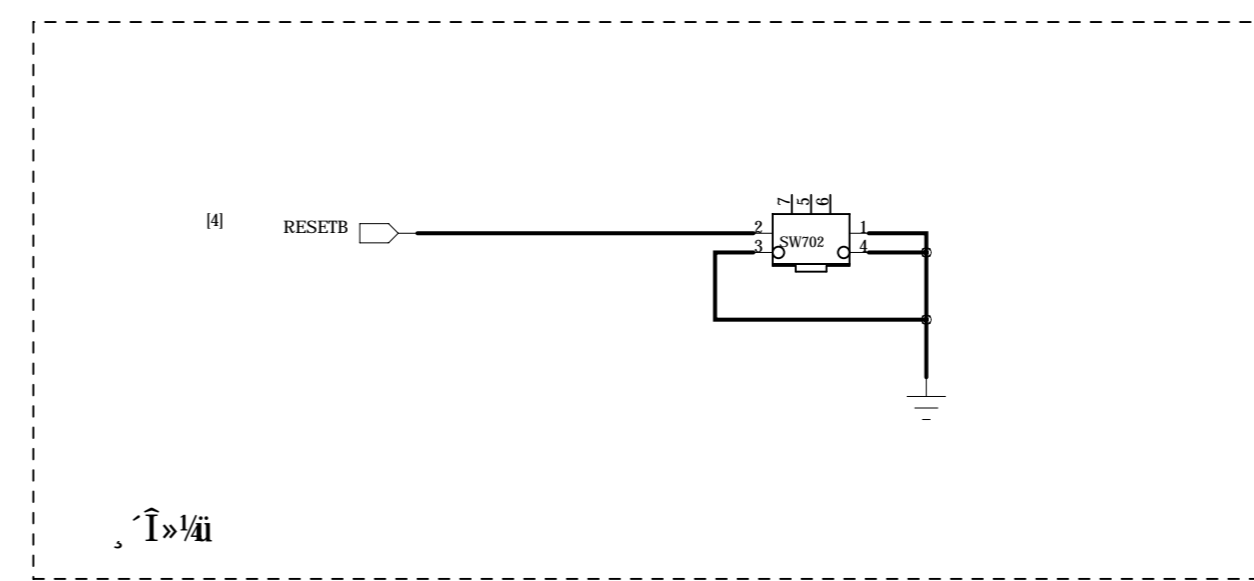
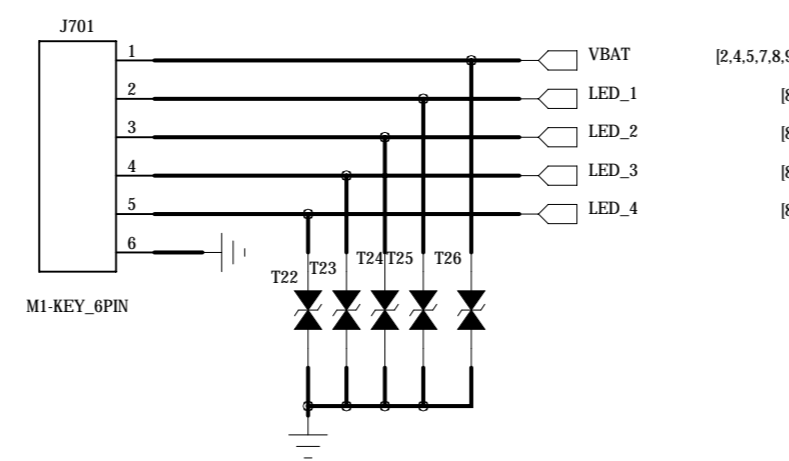
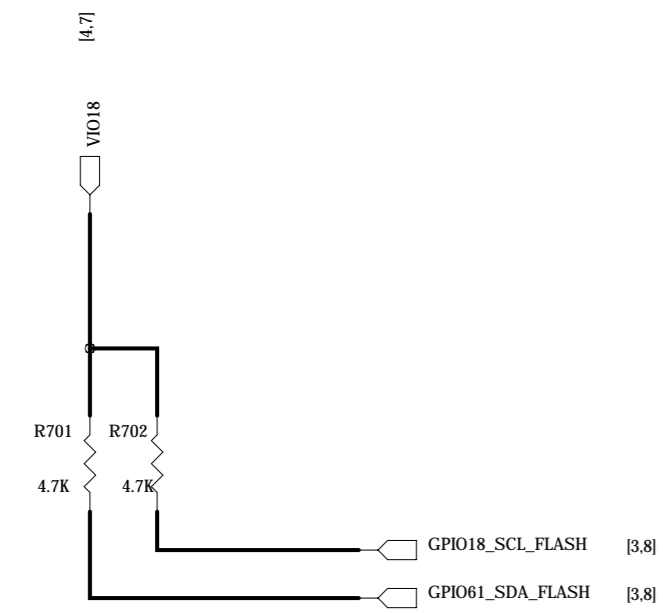
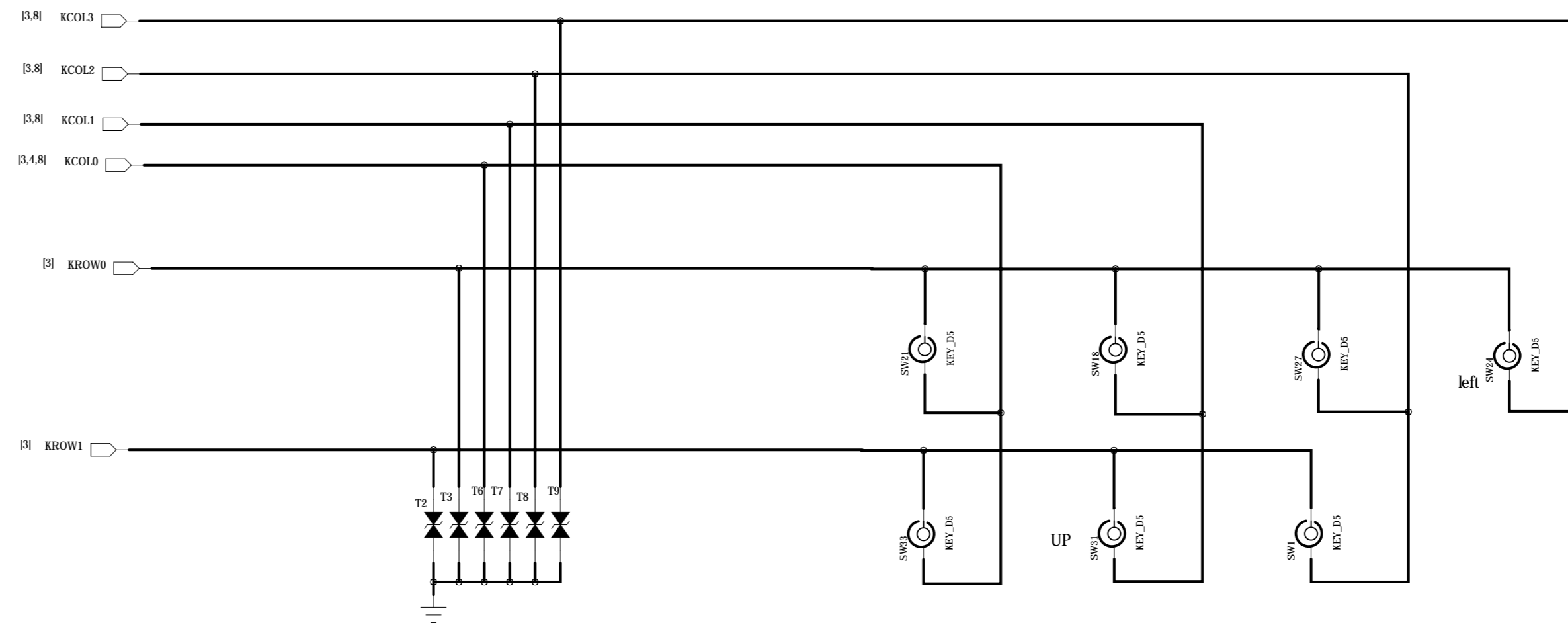
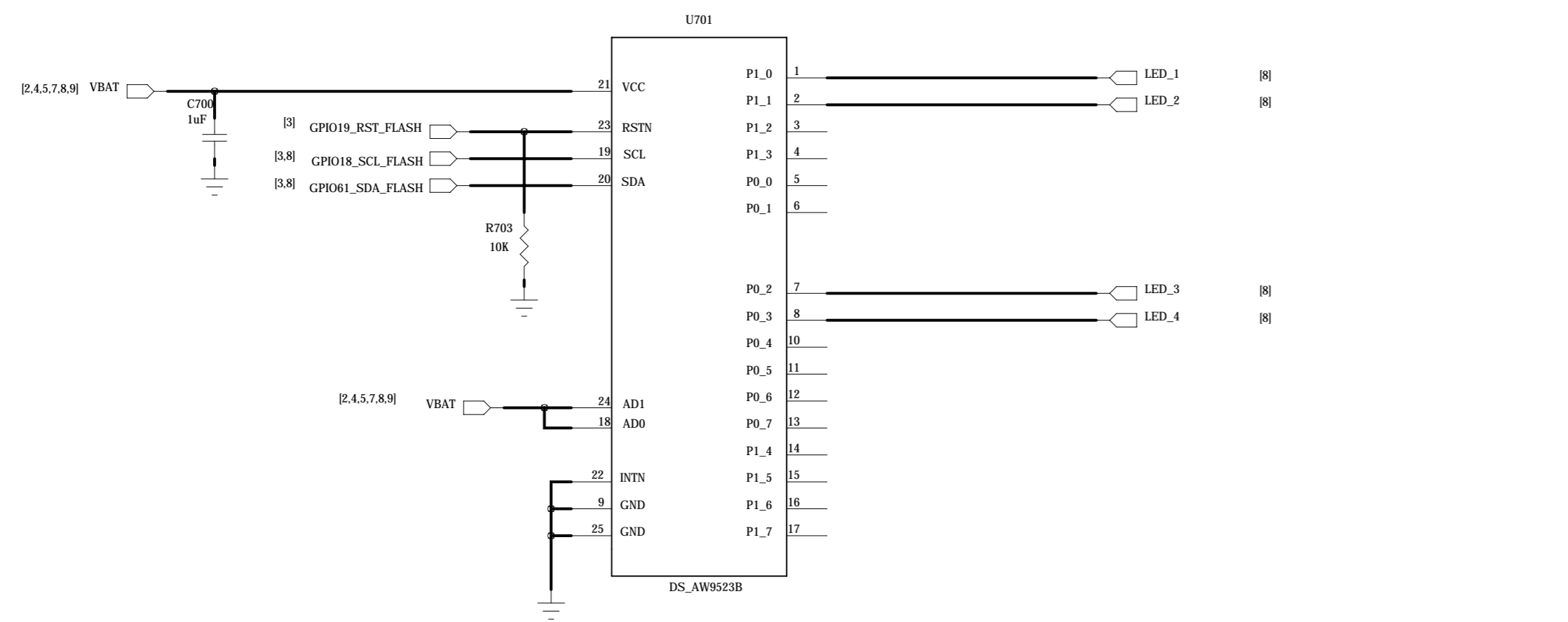
DRAWN:		DATED:		COMPANY:	
CHECKED:		DATED:		TITLE:	
QUALITY CONTROL:		DATED:		CODE:	SIZE:
RELEASED:		DATED:		DRAWING NO:	
SCALE:		SHEET:		OF	

REVISION RECORD			
LTR	ECO NO.	APPROVED:	DATE:



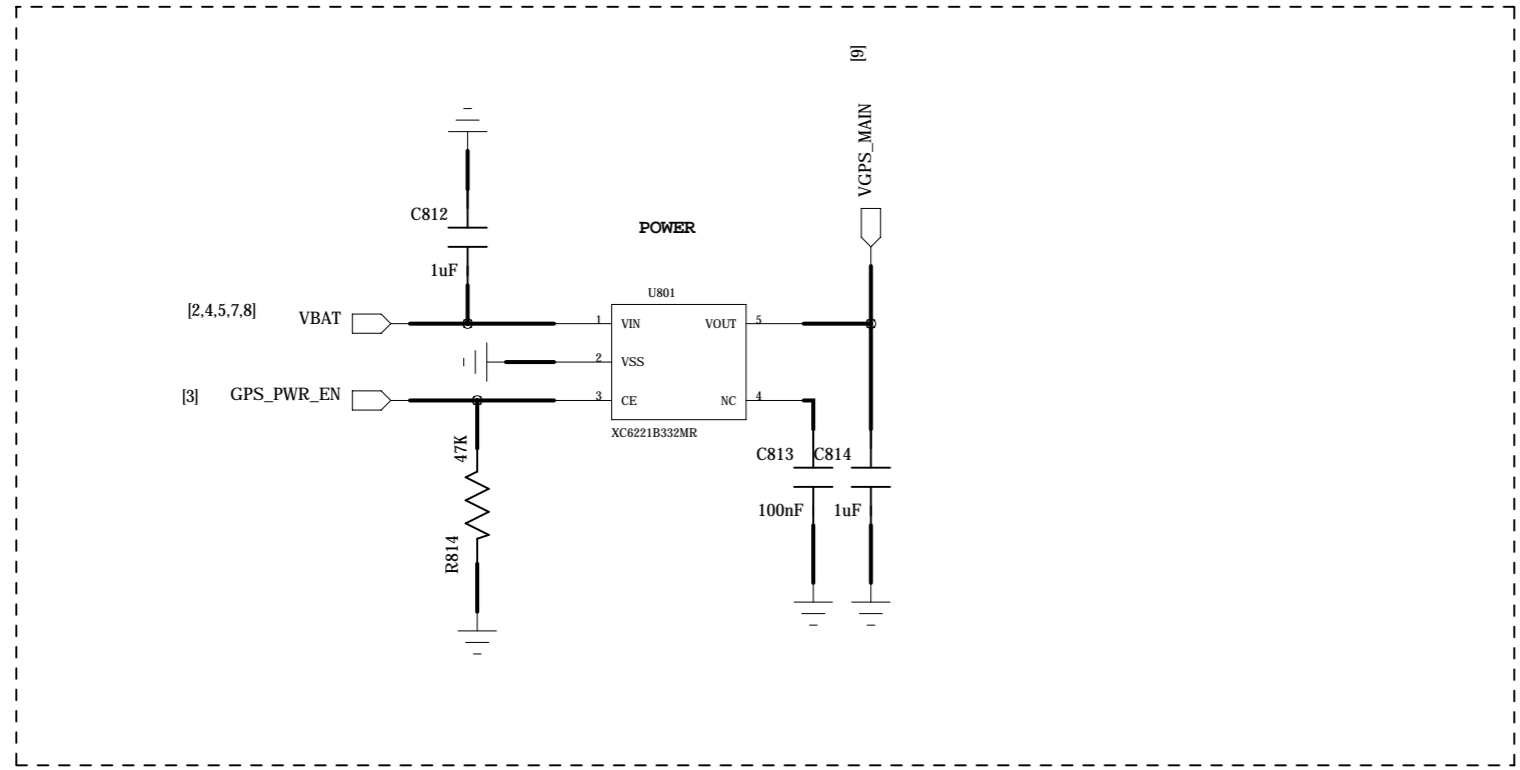
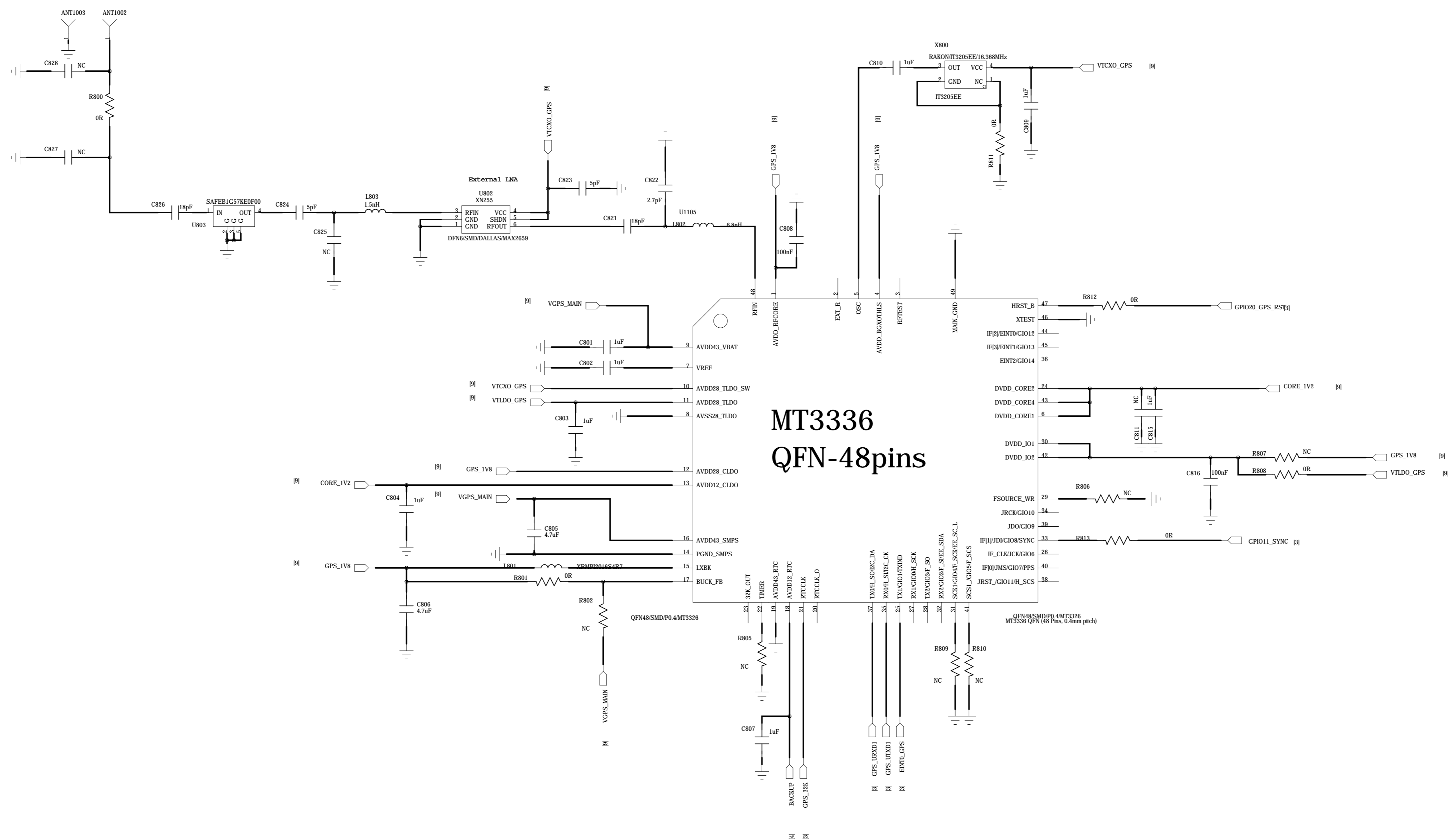
COMPANY:				
TITLE:				
DRAWN:	DATED:	CODE:	SIZE:	DRAWING NO.:
CHECKED:	DATED:			REV:
QUALITY CONTROL:	DATED:	SCALE:		SHEET: OF
RELEASED:	DATED:			

REVISION RECORD			
LTR	ECO NO.	APPROVED:	DATE:



COMPANY:				
TITLE:				
DRAWN:	DATED:	CODE:	SIZE:	DRAWING NO.:
CHECKED:	DATED:	REV:		
QUALITY CONTROL:	DATED:			
RELEASED:	DATED:	SCALE:	SHEET: OF	

REVISION RECORD			
LTR	ECO NO.	APPROVED:	DATE:



COMPANY: <Company Name>			
TITLE: <Title>			
DRAWN: <Drawn By>	DATED: <Drawn Date>	CODE: <Code>	SIZE: A1
CHECKED: <Checked By>	DATED: <Checked Date>	DRAWING NO: <Drawing Number> <Revision>	
QUALITY CONTROL: <QC By>	DATED: <QC Date>	SCALE: <Scale>	
RELEASED: <Released By>	DATED: <Release Date>	SHEET: 9 of 9	